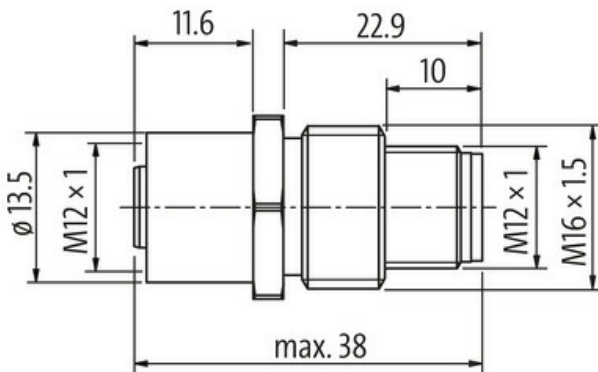
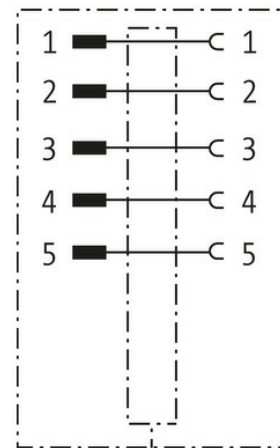
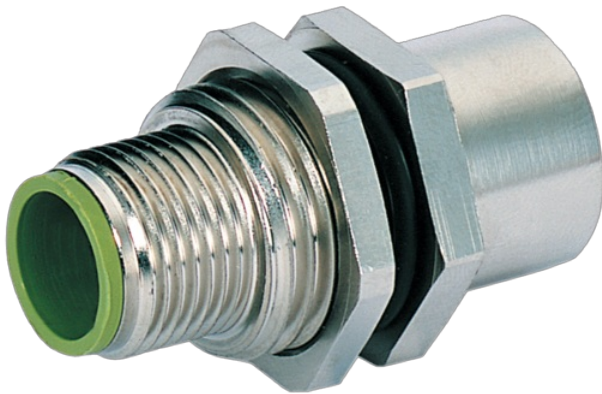


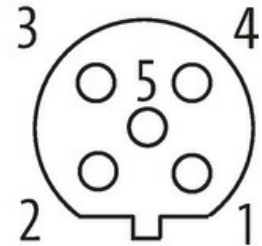
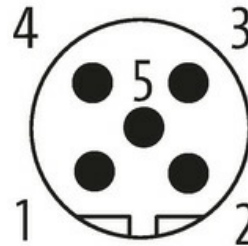
M12-PANEL FEED THROUGH 5POLE B CODED, V2A

Control cabinet entry system
 Male - female
 M12, 5-pole
 B-coded
 shielded
 Stainless steel 1.4305 (V2A)

[Link to Product](#)**Illustration**

Male

Female



Product may differ from Image

Form

Form 44111

Technical Data

Operating voltage	max. 60 V AC/DC
Operating current per contact	max. 4 A
Locking of ports	Screw thread (M12×1 mm) recommended torque 0.6 Nm, self-securing
Protection	IP67 inserted and tightened (EN 60529)
Material	Stainless steel 1.4305 (V2A)

General data

Temperature range	-25...+85 °C
Mounting set	M16×1.5 mm

Commercial data

country of origin	CZ
-------------------	----

customs tariff number	85366990
EAN	4048879483728
eClass	27279221
Packaging unit	1.000