

M8 male 90° A-cod. / MSUD valve plug BI-11mm

PVC 3x0.34 ye UL/CSA 0.6m

MSUD

Further cable lengths on request.

Form BI (11 mm)

3-pole

Male M8

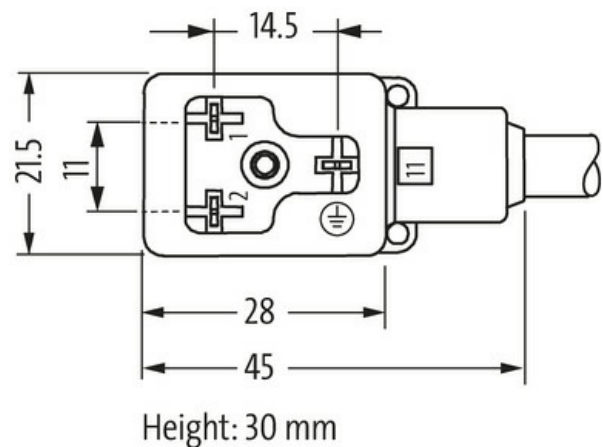
90°

4-pole

24 V AC $\pm 20\%$ / DC $\pm 25\%$

Z-Diode + LED

Art-No. 7005 - M8 Lite - (plastic hexagonal screw) on request

[Link to Product](#)**Illustration**

Female

Male



Product may differ from Image



| Form | |
|--|--|
| Form | 88811 |
| Technical Data | |
| Operating voltage | 24 V AC $\pm 20\%$ / DC $\pm 25\%$ |
| Rated surge voltage | 0.8 kV |
| Operating current per contact | max. 4 A |
| No. of poles | MSUD (3); M8 (4) |
| Current consumption | 15 mA |
| Material group | IEC 60664-1, category I |
| Switch off peak | max. 55 V |
| LED display | yellow |
| Locking of ports | M3/M8 (recommended torque 0.4 Nm) |
| Compression gland | M8 (SW9) |
| Protection | IP65 and IP67 when plugged and screwed down (EN 60529) |
| Material | MSUD (PBT); M8 (PUR) |
| Locking material | Zinc die casting, matte nickel plated |
| suitable for corrugated tube (internal \varnothing) | 6.5 mm |
| Housing | Black plastic (gray on request) |
| Additional suppressor | Diode/Z-Diode |
| General data | |
| Standards | DIN EN 61076-2-104 (M8) |
| Mounting method | inserted, tightened |
| Material (contact) | Copper alloy |
| Material (contact surface) | MSUD (Ag); M8 (Au) |
| Material (gasket) | PUR |
| Pollution Degree | 3 |
| Temperature range | -25...+85 °C, depending on cable quality |
| Cables | |
| Cable identification | 013 |
| Cable Type | 1 (PVC) |
| Approval (cable) | cURus (AWM-Style 2464/1731), CE-conform |
| Cable weight [g/m] | 34,1 g |
| Material (wire) | Cu wire, bare |
| Resistor (core) | max. 57 Ω /km (20 °C) |
| Single wire \varnothing (core) | 0.15 mm |
| Construction (core) | 19x 0.15 mm (multi-strand wire class 5) |
| Diameter (core) | 3x 0.34 mm ² |
| AWG | similar to AWG 22 |
| Material (wire isolation) | PVC |
| Material property (wire isolation) | CFC-, cadmium-, silicone- and lead-free |
| Shore hardness (wire isolation) | 45 ± 5 D |
| Wire- \varnothing incl. isolation | 1.25 mm $\pm 5\%$ |
| Color/numbering of wires | br, bk, bl |
| Stranding combination | 3 wires twisted |
| Shield | no |
| Material (jacket) | PVC |
| Material property (jacket) | CFC-, cadmium-, silicone- and lead-free |
| Shore hardness (jacket) | 85 ± 5 A |

| | |
|----------------------------|--|
| Outer-Ø (jacket) | 4.6 mm ±5% |
| Color (jacket) | yellow |
| chemical resistance | good resistance to oil, gasoline and chemicals |
| thermal resistance | flammwidrig nach UL 1581 VW1 / CSA FT1 / IEC 60332-1-2 |
| Nominal voltage | UL 300 V AC |
| Test voltage | 2000 V AC |
| Current load capacity | to DIN VDE 0298-4 |
| Temperature range (fixed) | -30...+80 °C |
| Temperature range (mobile) | -5...+80 °C |
| Bend radius (fixed) | 5× outer Ø |
| Bend radius (moving) | 10× outer Ø |

Commercial data

| | |
|-----------------------|---------------|
| country of origin | CZ |
| customs tariff number | 85444290 |
| EAN | 4048879116220 |
| eClass | 27279218 |
| Packaging unit | 1.000 |