

Main

Product or component type	Sinus filter
Range compatibility	Altivar Process ATV600 Altivar Process ATV900
Product specific application	Output filter

Complementary

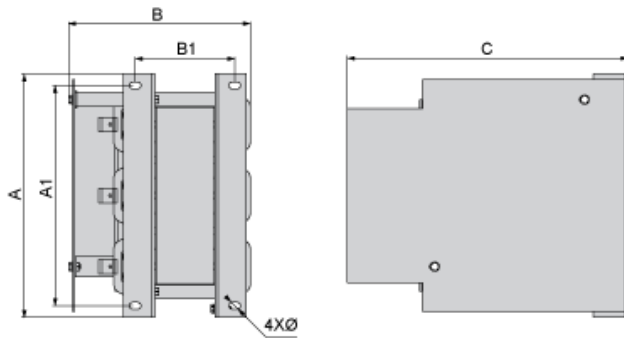
Motor cable length	<= 1000 m unshielded cable <= 500 m shielded cable
[In] rated current	180 A
Thermal losses	411 W at 4 kHz
Product compatibility	Variable speed drive ATV630 wall mount, motor: 30 kW, 200...240 V Variable speed drive ATV630 wall mount, motor: 37 kW, 200...240 V Variable speed drive ATV630 wall mount, motor: 45 kW, 200...240 V Variable speed drive ATV630 wall mount, motor: 55 kW, 380...480 V Variable speed drive ATV630 wall mount, motor: 75 kW, 380...480 V Variable speed drive ATV630 wall mount, motor: 90 kW, 380...480 V Variable speed drive ATV650 wall mount, motor: 55 kW, 380...480 V Variable speed drive ATV650 wall mount, motor: 75 kW, 380...480 V Variable speed drive ATV650 wall mount, motor: 90 kW, 380...480 V Variable speed drive ATV930 wall mount, motor: 30 kW, 200...240 V Variable speed drive ATV930 wall mount, motor: 37 kW, 200...240 V Variable speed drive ATV930 wall mount, motor: 45 kW, 200...240 V Variable speed drive ATV930 wall mount, motor: 55 kW, 380...480 V Variable speed drive ATV930 wall mount, motor: 75 kW, 380...480 V Variable speed drive ATV930 wall mount, motor: 90 kW, 380...480 V Variable speed drive ATV950 wall mount, motor: 55 kW, 380...480 V Variable speed drive ATV950 wall mount, motor: 75 kW, 380...480 V Variable speed drive ATV950 wall mount, motor: 90 kW, 380...480 V
Electrical connection	Copper bar M10
Operating altitude	<= 1000 m without current derating 1000...4000 m with current derating 1 % per 100 m
Switching frequency	2...8 kHz
Output frequency	<= 100 Hz
Voltage drop at rated load	< 8 %
Permissible voltage	<= 480 V AC
Max current	1.20 x nominal current for 60 s
Width	430 mm
Height	325 mm
Depth	495 mm
Product weight	90 kg

The information provided in this documentation contains general descriptions and/or technical characteristics of the products contained herein. This documentation is not intended as a substitute for and is not to be used for determining suitability or reliability of these products for specific user applications. It is the duty of any such user or integrator to perform the appropriate and complete risk analysis, evaluation and testing of the products with respect to the relevant specific application or use thereof. Neither Schneider Electric Industries SAS nor any of its affiliates or subsidiaries shall be responsible or liable for misuse of the information contained herein.

Environment

IP degree of protection	IP00
Environmental characteristic	Biological pollution resistance class 3B1 conforming to IEC 60721-3-3 Chemical pollution resistance class 3C3 conforming to IEC 60721-3-3 Dust pollution resistance class 3S3 conforming to IEC 60721-3-3
Pollution degree	3 conforming to IEC 61800-5-1
Relative humidity	5...95 % without condensation
Ambient air temperature for operation	50...60 °C with current derating 1.5 % per °C -15...50 °C without current derating
Ambient air temperature for storage	-40...70 °C
Mechanical robustness	Shocks conforming to IEC 60721-3-3 class 3M4 Vibrations conforming to IEC 60721-3-3 class 3M4

Dimensions



Dimensions in mm

A	B	C	A1	B1	Ø
430	325	495	380	172	12

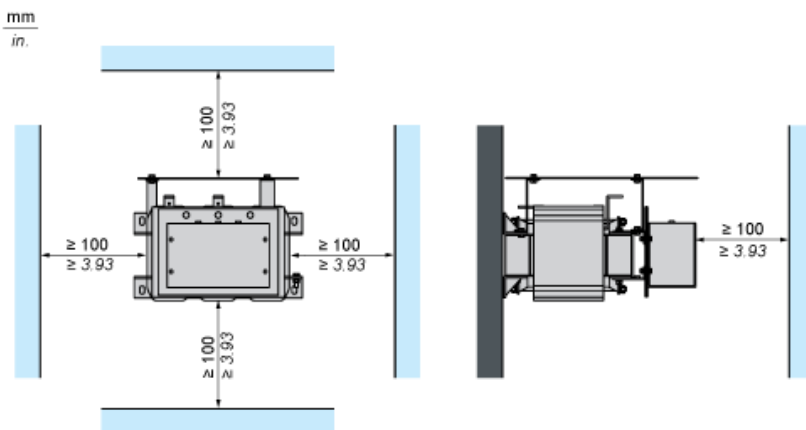
Dimensions in in.

A	B	C	A1	B1	Ø
16.9	12.8	19.5	15	6.8	0.47

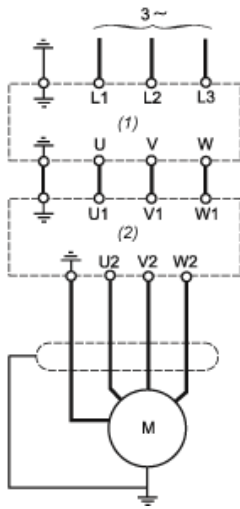
Mounting and Clearance



(1) Filter



Recommended Schema



- (1) Drive
- (2) Filter