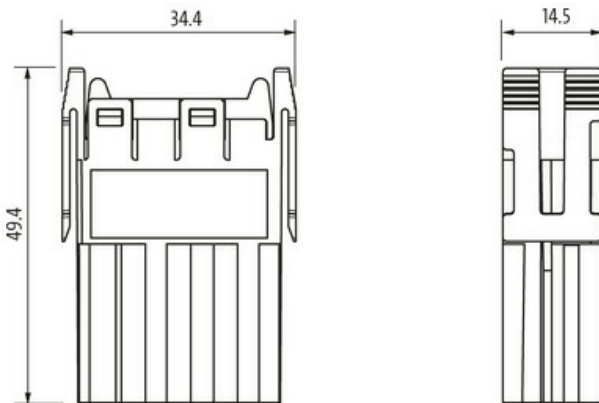
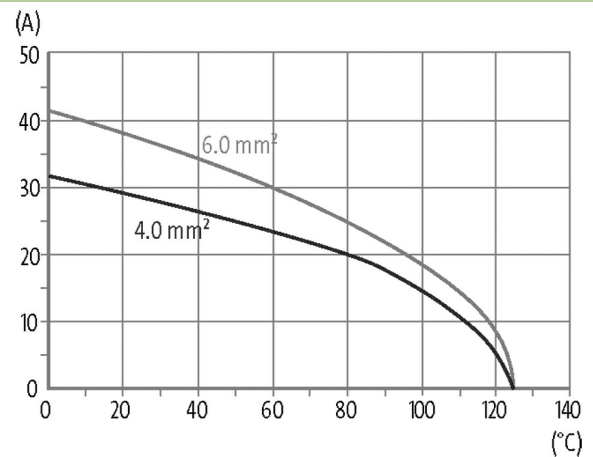


**Male module, 4-pole, crimp t.**

830 V, 40 A

Male  
4-pole  
Crimp

Technical data will be only guaranteed with Murrelektronik components.

**[Link to Product](#)****Illustration**

Product may differ from Image

**Technical Data**

Operating voltage	830 V AC/DC
Rated surge voltage	8.0 kV
Operating current	40 A
No. of poles	4
Material group	I
Mating cycles	min. 500
Connection	Crimp
Connection cross section	1.5...6 mm <sup>2</sup> (AWG 16...10)
Holding force (contacts)	≥ 100 N
Insertion and withdrawal force	< 220 N
Isolation resistance	≥ 10 <sup>8</sup> Ω

Contact resistance	≤ 5 mΩ
Over voltage category	III
Wire-Ø incl. isolation	max. 5.2 mm
Holding force (modules)	≥ 240 N

**General data**

Material (contact)	Brass
Material (contact surface)	Ag
Pollution Degree	3
Temperature range	-40...+125 °C
No. of module positions	1
Flammability class	V-0 (acc. to UL 94)
Type	Male
Climatic category	40/125/10
Material (module)	PA GF
Dimensions H×W×D	49.4×14.5×34.4 mm

**Cables**

Current load capacity	see derating curve
-----------------------	--------------------

**Commercial data**

country of origin	CZ
customs tariff number	85389099
EAN	4048879641531
eClass	27143424
Packaging unit	5.000