

MVP12, 4XM12, 4POLE, PLUG. CAP SCT.

Plug. cap. field-wireable via screw terminals

4-way, 4-pole

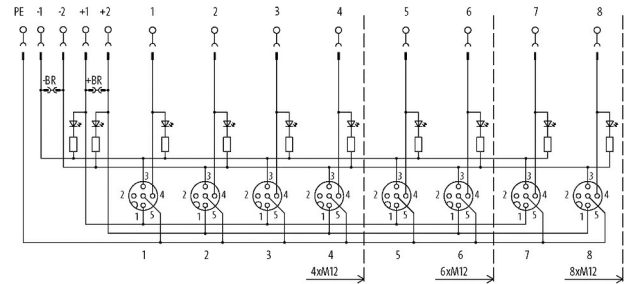
Screw plug-in terminals

Potential separation as option

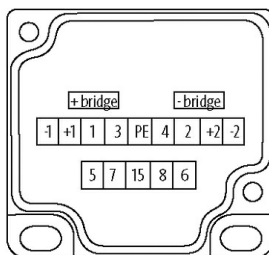
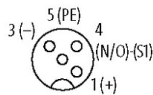
with LED for digital PNP-signals 24 V DC

Plastic housings with good resistance against chemicals and oils.

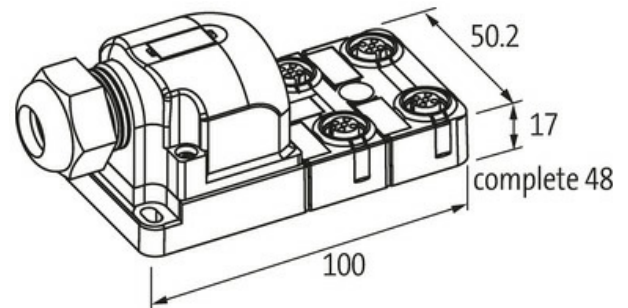
The resistance to aggressive media should be individually tested for your application. Further details on request.

Link to Product**Illustration**

M12 Females 4-pole



for 2 signals per port



Product may differ from Image

**Technical Data**

Operating voltage	24 V DC
Operating current per contact	max. 4 A
Locking of ports	Screw thread (M12×1 mm)
Connection	Screw plug-in terminals: max. 1.5 mm ² (AWG 16)
Protection	IP67 inserted and tightened (EN 60529)
Housing	Plastic, flame retardant

Signal per port	1 - (31-32)
Total current	max. 2× 8 A
General data	
Temperature range	-20...+80 °C
Dimensions H×W×D	100×50.2×17 mm
Commercial data	
country of origin	DE
customs tariff number	85369010
EAN	4048879063272
eClass	27279219
Packaging unit	1.000