

Female module, 2-pole, axial screw t.

1000 V, 70 A

Female

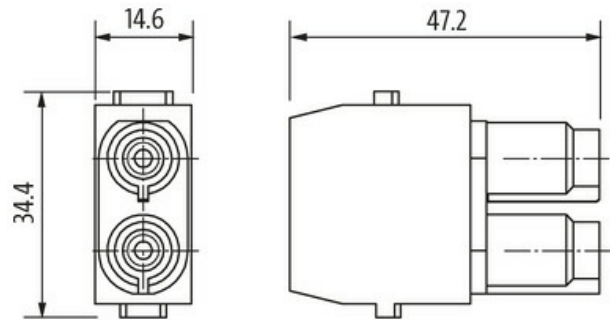
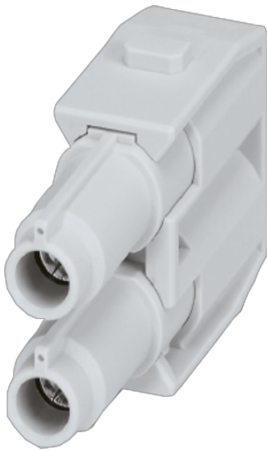
2-pole

Axial screw connection

Technical data will be only guaranteed with Murrelektronik components.

Axial screw connection only for flexible wires

The clip 70MH-ZZ100-0000000 is needed (2×)

Link to Product**Illustration**

Product may differ from Image

**Technical Data**

Operating voltage	1000 V AC/DC
Rated surge voltage	8.0 kV
Operating current	70 A
No. of poles	2
Mating cycles	min. 500
Connection	Axial screw connection, hexagonal socket (SW2.5)
Connection cross section	6...25 mm ² (AWG 9...3)
Stripping length	11 mm (6...16 mm ²); 12.5 mm (25 mm ²)
Tightening torque	2 Nm (6 mm ²); 3 Nm (10...25 mm ²)
Over voltage category	III
Wire-Ø incl. isolation	max. 8.9 mm

General data

Material (contact)	Brass
Material (contact surface)	Ag
Pollution Degree	3
Temperature range	-40...+125 °C
No. of module positions	1
Flammability class	V-0 (acc. to UL 94)
Type	Female

The information in this brochure has been compiled with the utmost care.

Liability for the correctness completeness and topicality of the information is restricted to gross negligence. Version: 03/22

Murrelektronik Ltd. | 5 Albion Street, Pendlebury Industrial Estate, Swinton | Manchester M27 4FG | Fon +44 161 728 3133 | Fax +44 161 728 3130 | shop@murrelektronik.co.uk | shop.murrelektronik.co.uk

Material (module)	PC
Dimensions H×W×D	39.4×28.8×13.6 mm
Commercial data	
country of origin	PL
customs tariff number	85366990
EAN	4048879663946
eClass	27143424
Packaging unit	1.000