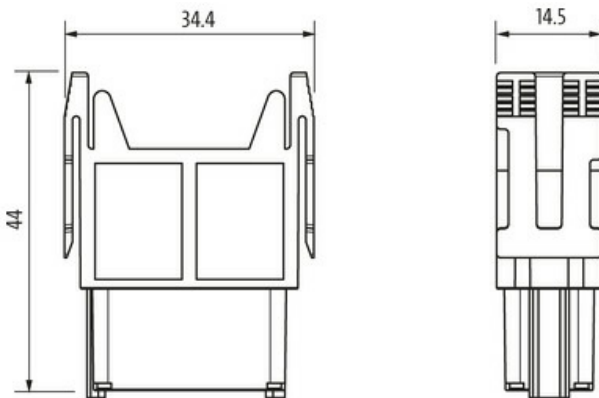
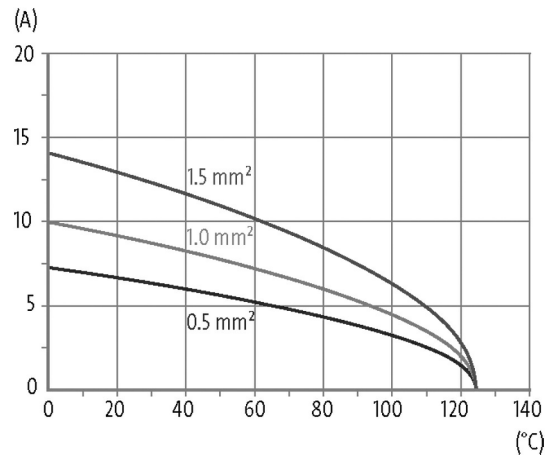


Female module, 17-pole, crimp t.

160 V, 10 A

Female
17-pole
Crimp

Technical data will be only guaranteed with Murrelektronik components.

Link to Product**Illustration**

Product may differ from Image

Technical Data

Operating voltage	160 V AC/DC
Rated surge voltage	2.5 kV
Operating current	10 A
No. of poles	17
Material group	I
Mating cycles	min. 500
Connection	Crimp
Connection cross section	0.14...2.5 mm ² (AWG 26...13)
Holding force (contacts)	≥ 70 N
Insertion and withdrawal force	< 140 N
Isolation resistance	≥ 10 ⁸ Ω
Contact resistance	≤ 5 mΩ

Over voltage category	III
Wire-Ø incl. isolation	max. 3.7 mm
Holding force (modules)	≥ 150 N

General data

Material (contact)	Brass
Material (contact surface)	Ag Au
Pollution Degree	3
Temperature range	-40...+125 °C
No. of module positions	1
Flammability class	V-0 (acc. to UL 94)
Type	Female
Climatic category	40/125/10
Material (module)	PA GF
Dimensions H×W×D	44×14.5×34.4 mm

Cables

Current load capacity	see derating curve
-----------------------	--------------------

Commercial data

country of origin	CZ
customs tariff number	85389099
EAN	4048879641654
eClass	27143424
Packaging unit	5.000