

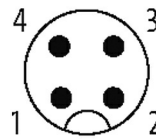
IO-Link / analog converter

AO I 4 ... 20mA, M12, straight

IOL AO-I-STR-4...20 mA-UNI

IO-Link V1.1

Connection cables are in the online shop under "Connection Technology".

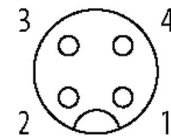
Link to Product**Illustration****Male**

PIN 1: +24 V (L+)

PIN 2: n.c.

PIN 3: GND

PIN 4: C/Q, IO-Link

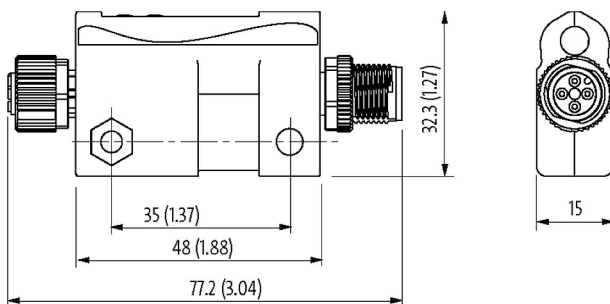
Female

PIN 1: +Us

PIN 2: n.c.

PIN 3: GND (Analog Us)

PIN 4: AOUT (U/I)



Product may differ from Image

**General data**

Temperature range	-30...+70 °C (storage temperature -40...+85 °C)
Material (housing)	Plastic
Labeling	Laser labelled
Protection	IP65/IP67
Dimensions H×W×D	32.3×77.2×15 mm

Module supply

Operating voltage	24 V DC (18...30 V DC)
Current consumption	max. 19 mA

Output

Output filter	yes, mean value formation, parameterizable N = 0...64
Type	2-, 3-, 4-wire technology

Resolution (analog)	15 Bit + sign
Over voltage protection	30 V DC
Conversion time (analog)	max. 5 ms
Input range (analog)	4...20 mA
Actuator supply UA	24 V DC (EN 61131-2), max. 200 mA
Valency	348 nA
Temperature drift	45 ppm/°K
Accuracy	0.10% (25 °C)

IO-Link

Data width	16 Bit / 2 Byte
Specification	IO-Link V1.1
Port Class	A
Data format	Siemens S7
Operating modes	COM2 (38.4 kbit/s)
Cycle time	min. 2.3 ms

Parameterization

Mean value filter	1 Byte
upper limit	2 Byte
lower limit	2 Byte
Measured value	preset
Diagnostics	lower limit, upper limit, over heated, supply over voltage, supply under voltage, defective device, sensor cable break, sensor supply over current, overrun

Connections

Analog output	M12 (female) 5-pole, A-coded, shielded
IO-Link	M12 (male) 5-pole, A-coded

Protection

Short-circuit protection sensor	yes, permanently
feed back resistance	yes, permanently
Reverse polarity protection module	yes, permanently
Over voltage protection	30 V DC

Diagnostic

Communication status	via LED and IO-Link
Diagnostic via LED	yes
Diagnostic via IO-Link	yes
Monitoring - under voltage	yes
Monitoring - over voltage	yes
Monitoring - temperature	yes
Underride and overrun	yes
Monitoring - limit	yes

Commercial data

country of origin	DE
customs tariff number	85389099
EAN	4048879588225
eClass	27242601
Packaging unit	1.000