

**MVK I/O COMPACT MODULE, METAL**

CANopen, 8 multif.channels / 8 dig. In / Diag

Digital inputs/outputs

DIO8 DI8

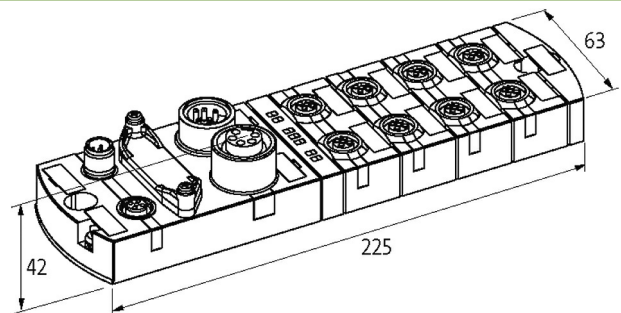
CAN 1 Mbit/s; M12, A-coded

7/8", 5-pole, 2× max. 9 A

M12, 5-pole, A-coded

Connection cables are in the online shop under "Connection Technology".

Housing fully potted.

**[Link to Product](#)****Illustration**

Product may differ from Image

**General data**

Mounting method	2-hole screw mounting
Temperature range	0...+55 °C (storage temperature -20...+70 °C)
Protection	IP67
Dimensions H×W×D	42×63×225 mm

**Module supply**

Operating voltage	24 V DC (EN 61131-2)
-------------------	----------------------

**Output**

Lamp load	10 W
Actuator supply UA	24 V DC (EN 61131-2), max. 9 A
Switching current per output	max. 1.6 A (short-circuit and overload protected)

**Input**

Sensor supply US	24 V DC (EN 61131-2), max. 200 mA (M12 female), short-circuit and overload protected
Type	for 3-wire sensors or mechanical switches, PNP

**Parameterization**

PIN 4	Input/Output
PIN 2	Input/Diagnostic

**Connections**

Fieldbus	CAN 1 Mbit/s; M12, A-coded
Sensor-system/actuator supply	7/8", 5-pole, 2× max. 9 A
I/O ports	M12, 5-pole, A-coded

**CANopen**

The information in this brochure has been compiled with the utmost care.  
Liability for the correctness completeness and topicality of the information is restricted to gross negligence. Version: 03/22

Addressing Rotary switch 1...99

**Diagnostic**

Communication status	via LED
Diagnostic via LED	per module and channel
Diagnostic via BUS	per module and channel
Actuator warning	per channel via LED and BUS
Monitoring - under voltage	yes
Monitoring - no voltage	yes
Short-circuit and overload	yes
Cable break	per port

**Commercial data**

country of origin	DE
customs tariff number	85176200
EAN	4048879051507
eClass	27242604
Packaging unit	1.000