

UNIVERSAL CONTACTOR SUPPRESSOR

Varistor, 230VAC/DC/200VA/W

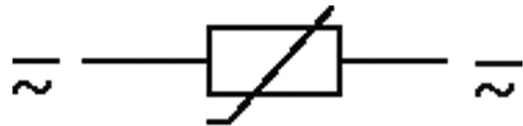
230 V AC/DC

VDR

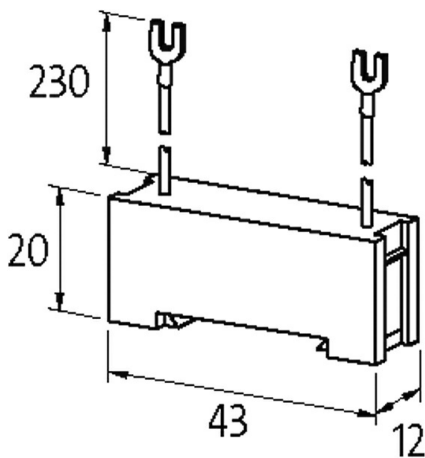
For other configurations and voltages, please inquire.

[Link to Product](#)

Illustration



VDR



Product may differ from Image



Technical Data

Input voltage	230...230 V AC/DC
max. power (W)	200 W (VA)

General data

Temperature range	-20...+70 °C
Dimensions H×W×D	20×43×12 mm

Appropriate contactors

universal

Commercial data

country of origin	CZ
customs tariff number	85363010
EAN	4048879018203
eClass	27371013
Packaging unit	1.000