

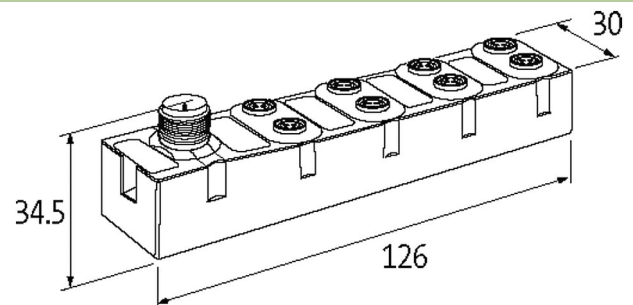
## CUBE67 I/O COMPACT MODULE

8 multifunction channels

Compact module  
 DIO8 - 0.5 A (C) - 8× M8  
 short-circuit and overload protected  
 Digital inputs/outputs (multifunctional)  
 Connection cables are in the online shop under "Connection Technology".  
 Housing fully potted.

### [Link to Product](#)

#### Illustration



Product may differ from Image



#### General data

Mounting method	2-hole screw mounting
Temperature range	0...+55 °C (storage temperature -20...+75 °C)
Protection	IP67
Dimensions H×W×D	126×30×34.5 mm

#### Output

Lamp load	10 W
Actuator supply UA	24 V DC (EN 61131-2), via system connection (max. 4 A)
Switching current per output	max. 0.5 A (short-circuit and overload protected)

#### Input

Sensor supply US	24 V DC (EN 61131-2), max. 200 mA (M8 female), short-circuit and overload protected
Type	for 3-wire sensors or mechanical switches, PNP
Input filter	1 ms

#### Internal communication

LED display	US: sensor supply and internal supply voltage (green: OK); UA: actuator supply (green: OK)
Current consumption	max. 30 mA
Terminating resistor	integrated into the module

#### Parameterization

PIN 4	Input/Output
-------	--------------

#### Connections

Fieldbus	via internal system connection
Sensor-system/actuator supply	via internal system connection (max. 2× 4 A)
I/O ports	M8 (female) 3-pole, A-coded

**Diagnostic**

Communication status	via LED
Diagnostic via LED	per module and channel
Diagnostic via BUS	per module and channel
Actuator warning	per channel via LED and BUS
Monitoring - under voltage	yes
Monitoring - no voltage	yes
Short-circuit and overload	yes

**Commercial data**

country of origin	DE
customs tariff number	85389099
EAN	4048879048491
eClass	27242604
Packaging unit	1.000