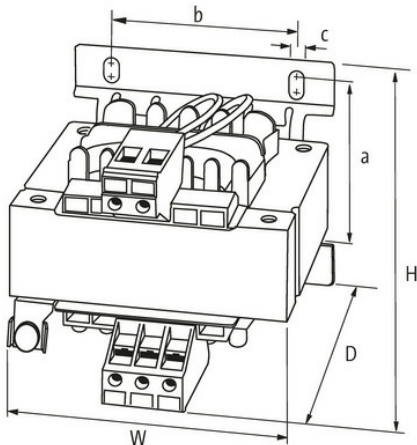
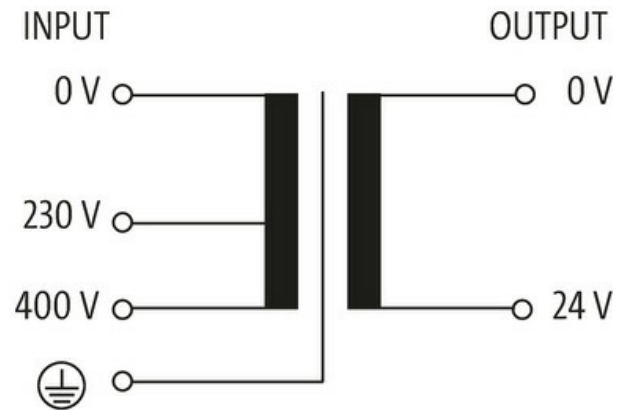
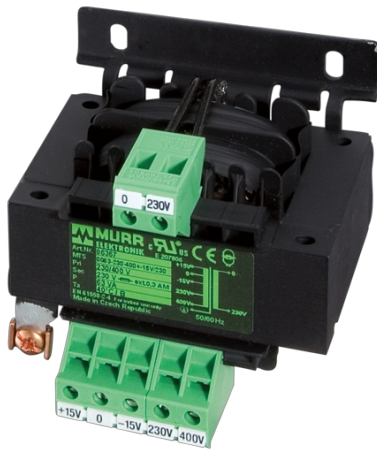


MTS SINGLE-PHASE SAFETY TRANSFORMER

P:63VA IN:230/400VAC OUT:24VAC

Single-phase - Control and Isolation Transformers
63 VA
Other voltages on request.

[Link to Product](#)**Illustration**

Product may differ from Image

General data

Standards	EN 61558-2-6, EN 62041 category 0
Mounting method	Key-hole mounting
Temperature range	-20...+60 °C (storage temperature -40...+80 °C)
Test isolation voltage	5.8 kV (prim./sec.)
Drill hole Ø	4.8x8.4 mm
Fixing centers a×b×c	64.5×64×4.8 mm
Dimensions H×W×D	88×85×98 mm

Output

Output voltage	24 V AC
Output rating	63 VA

Input

The information in this brochure has been compiled with the utmost care.
Liability for the correctness completeness and topicality of the information is restricted to gross negligence. Version: 03/22

Input voltage	230/400 V AC
Inrush current	2.1 A (230 V AC); 1.2 A (400 V AC)
Short-circuit current	3.5 A (230 V AC); 2 A (400 V AC)
Input current	0.36 A (230 V AC); 0.20 A (400 V AC)
Frequency	50...60 Hz

Commercial data

country of origin	CZ
customs tariff number	85043180
EAN	4048879303910
eClass	27031202
Packaging unit	1.000