

MPL POWER SUPPLY 3-PHASE, SMOOTHED

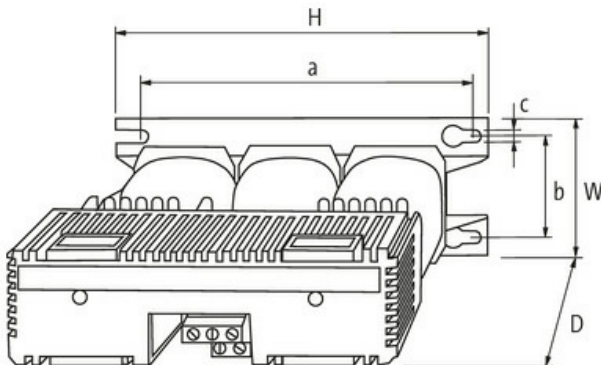
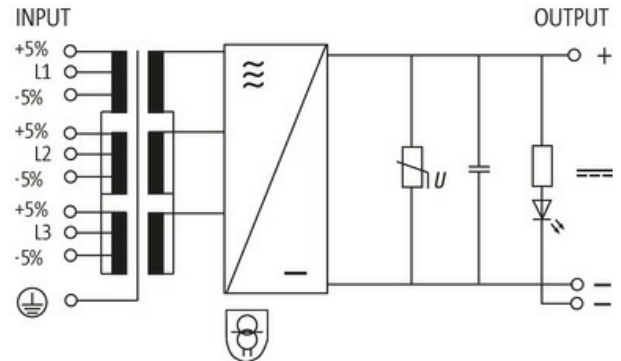
IN: 400VAC+/- 5% OUT: 24V/60ADC

Current: 60 A

Output rating: 1440 W

[Link to Product](#)

Illustration



Product may differ from Image



General data

| | |
|----------------------|---|
| Standards | EN 61558-2-6, EN 62041 category I, EN 55011 B, EN 61000-3-2 |
| Mounting method | Key-hole mounting |
| Temperature range | -20...+55 °C, for any mounting position at vertical wall, no condensation |
| Fixing centers a×b×c | 256.5×128×11 mm |
| Efficiency | 78% |
| Dimensions H×W×D | 280×154×313 mm |

Output

| | |
|----------------------|----------------------------------|
| Output voltage | 24 V DC (SELV) |
| Output fuse external | 60 A (T) |
| Output suppression | LED, VDR and smoothing capacitor |
| Output current | max. 60 A |
| Ripple | max. 2% eff/rms |

The information in this brochure has been compiled with the utmost care. Liability for the correctness completeness and topicality of the information is restricted to gross negligence. Version: 03/22

| Input | |
|-----------------------|---------------------|
| Input voltage | 3x 400 V AC ±5% |
| Input fuse (external) | 4 A (T) |
| Input current | 3.1 A (3x 400 V AC) |
| Frequency | 50...60 Hz |
| Commercial data | |
| country of origin | CZ |
| customs tariff number | 85044090 |
| EAN | 4048879079167 |
| eClass | 27049002 |
| Packaging unit | 1.000 |