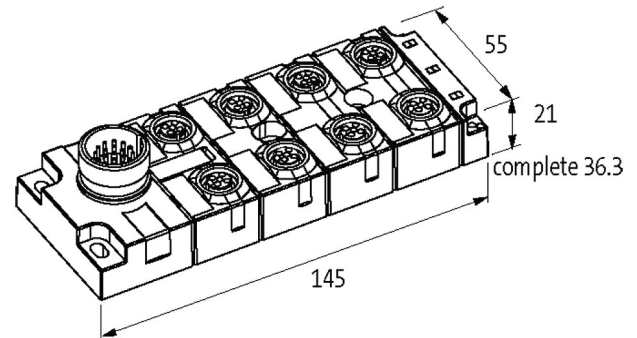


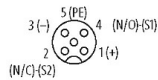
MVP-METALL, 8XM12, 5POLE, M23 19POL. CON.

Connector exit frontside

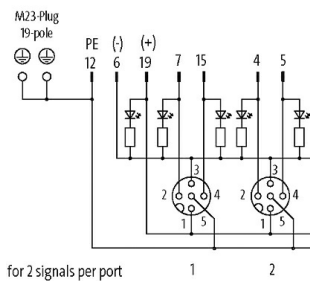
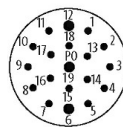
8-way, 5-pole, DIAGNOSTIC
M23 plug connection
19-pole used

Link to Product**Illustration**

M12-Females 5-pole



M23-Plug 19-pole



Product may differ from Image

Technical Data

Operating voltage	24 V DC (EN 61131-2)
Operating current (contact 3)	max. 0.5 A (shutoff 0.7...0.9 A)
Current consumption	max. 35 mA
LED display	LED (green): P1 and P2; LED (red): ERROR for optical diagnostics
Locking of ports	Screw thread (M12x1 mm)
Protection	IP65, IP67, IP68 inserted and tightened (EN 60529)
Housing	Zinc die casting, matte nickel plated
Diagnostic output	active high, max. load 25 mA, M23 - PIN 18
Required power supply with max. ports	min. 10 A
Inrush capacity	max. 1470 µF
LED display per port	LED (yellow): contact 4 and 2; 2x LED (red): for failure
Unit protection	Short-circuit, overload (PNP switching)
Total current	max. 10 A

General data

Temperature range	-20...+60 °C
-------------------	--------------

The information in this brochure has been compiled with the utmost care.

Liability for the correctness completeness and topicality of the information is restricted to gross negligence. Version: 03/22

Murrelektronik Ltd. | 5 Albion Street, Pendlebury Industrial Estate, Swinton | Manchester M27 4FG | Fon +44 161 728 3133 | Fax +44 161 728 3130 | shop@murrelektronik.co.uk | shop.murrelektronik.co.uk

Dimensions H×W×D 145×55×21 mm

Contact Layout

PIN 1	(+)
PIN 2	Port 1...7: (NO)/(S2); Port 8: diagnostic
PIN 3	(-)
PIN 4	(NO)/(S1)
PIN 5	(Earth)
LED (green): Power / LED (yellow): (S1/S2) / LED (red): Failure	

Description

Functional description All M12 ports are current monitored regarding 0 V total current (contact 3), and are switched off in case of overload or short-circuit (self-resetting). Operating voltage remains the same. In case of a fault the DIAGNOSTIC signal "active high" to the PLC

Commercial data

country of origin	CZ
customs tariff number	85369010
EAN	4048879063548
eClass	27279219
Packaging unit	1.000