

EXACT12, 4XM12, 4 POLE CAP, PLUG. SCREW TERM.

Self wireable, NPN-LED

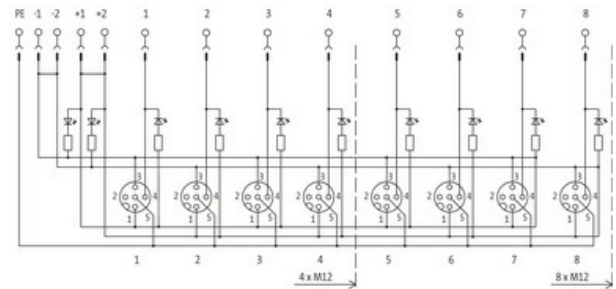
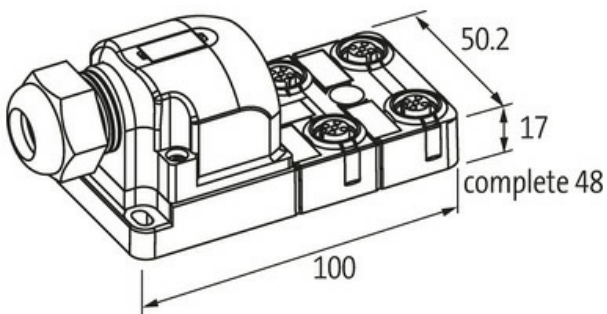
4-way, 4-pole

Form NPN

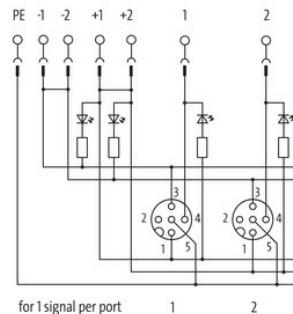
Screw plug-in terminals

Plastic housings with good resistance against chemicals and oils.

The resistance to aggressive media should be individually tested for your application. Further details on request.

[Link to Product](#)**Illustration**

M12-Females 4-pole



Product may differ from Image

**Technical Data**

Operating voltage	24 V DC
Operating current per contact	max. 4 A
Connection	Screw plug-in terminals: max. 1.5 mm ² (AWG 16)
Protection	IP65/IP67
Housing	Plastic, flame retardant
Total current	max. 8 A

General data

The information in this brochure has been compiled with the utmost care.
Liability for the correctness completeness and topicality of the information is restricted to gross negligence. Version: 03/22

Murrelektronik Ltd. | 5 Albion Street, Pendlebury Industrial Estate, Swinton | Manchester M27 4FG | Fon +44 161 728 3133 | Fax +44 161 728 3130 | shop@murrelektronik.co.uk | shop.murrelektronik.co.uk

Temperature range -20...+70 °C

Contact Layout

PIN 1 (+)

PIN 3 (-)

PIN 4 (NO)/(S1)

PIN 5 (Earth)

LED (green): Power / LED (yellow): (S1)

Commercial data

country of origin DE

customs tariff number 85369010

EAN 4048879055949

eClass 27279219

Packaging unit 1.000