

SIEMENS CONTACTOR SUPPRESSOR

Zener diode, 24VDC

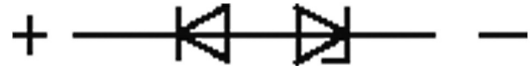
24 V DC

Diode/Z-Diode

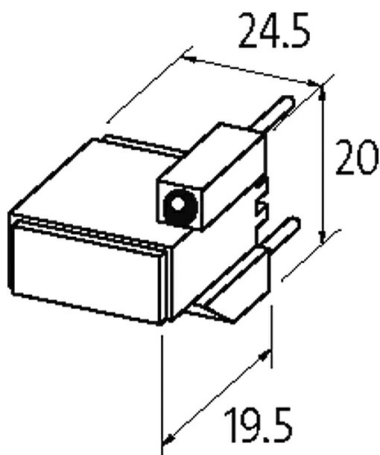
For other configurations and voltages, please inquire.

[Link to Product](#)

Illustration



Diode/Z-Diode



Product may differ from Image



Technical Data

Input voltage	24...240 V DC
Material	Flame retardant plastic acc. to (UL 94)
Damping factor	approx. 1.5× UN
Connection wires	Plug contact

General data

Temperature range	-20...+70 °C
-------------------	--------------

Dimensions H×W×D 19.5×20×24.5 mm

Appropriate contactors

3 TH 2; 3 TF 2; 3 TH 20; 3 TF 20

Commercial data

country of origin	CZ
customs tariff number	85363010
EAN	4048879018586
eClass	27371013
Packaging unit	1.000