

MVK+ MPNIO DI8 DO8 GALVANIC SEPARATION

MVK ProfiNet Compact module, metal

Digital inputs/outputs

DI8 DO8

Ethernet 10/100 Mbit/s; M12, D-coded

7/8", 5-pole, max. 9 A, protection against reverse polarization

M12, 5-pole, A-coded

FSU (Fast-Start-Up)

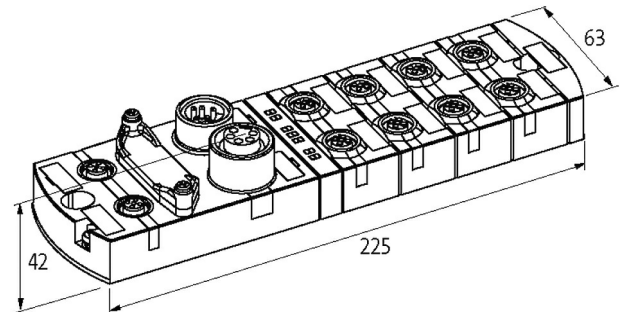
Galvanic isolation

Connection cables are in the online shop under "Connection Technology".

Housing fully potted.

[Link to Product](#)

Illustration



Product may differ from Image



General data

Mounting method	2-hole screw mounting
Temperature range	-25...+55 °C (storage temperature -25...+70 °C)
Protection	IP67
Dimensions HxWxD	39x63x225 mm

Output

Lamp load	10 W
Actuator supply UA	24 V DC (EN 61131-2), max. 9 A
Switching current per output	max. 2 A (short-circuit and overload protected)

Input

Sensor supply US	24 V DC (EN 61131-2), max. 200 mA (M12 female), short-circuit and overload protected
Type	for 3-wire sensors or mechanical switches, PNP

Parameterization

PIN 4	Input (port 4...7); Output (port 0...3)
PIN 2	Input (port 4...7); Output (port 0...3)

Connections

Fieldbus	Ethernet 10/100 Mbit/s; M12, D-coded
Sensor-system/actuator supply	7/8", 5-pole, max. 9 A, protection against reverse polarization
I/O ports	M12, 5-pole, A-coded

PROFINET

Specification	V2.2, Conformance Class B
Addressing	DCP
FSU (Fast-Start-Up)	max. 500 ms
MRP	yes

Diagnostic

Communication status	via LED
Diagnostic via LED	per module and channel
Diagnostic via BUS	per module and channel
Actuator warning	per channel via LED and BUS
Monitoring - under voltage	yes
Monitoring - no voltage	yes
Short-circuit and overload	yes
Cable break	per port

Commercial data

country of origin	DE
customs tariff number	85389099
EAN	4048879377744
eClass	27242604
Packaging unit	1.000