

PUSH PULL RJ45 4 POLE FIELD- WIREABLE

Ethernet CAT5

Male straight

RJ45PP, 4-pole

IDC terminals

Connection cross section: 0.14...0.34 mm²

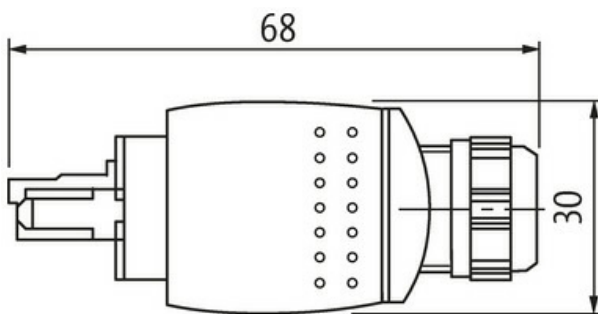
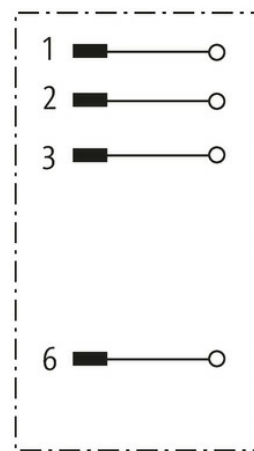
Push Pull

Plastic housings with good resistance against chemicals and oils.

The resistance to aggressive media should be individually tested for your application. Further details on request.

[Link to Product](#)

Illustration



Height: 22 mm

Male



Product may differ from Image



Form

Form 99611

Technical Data

Operating voltage max. 60 V DC

Operating current per contact max. 1.76 A

Transfer parameters	CAT5, Class D (ISO/IEC 11801:2002), (EN 50173-1)
Transfer rate	up to 100 Mbit/s full duplex
Connection cross section	0.14...0.34 mm ² (AWG 26...22)
Sealing range (cable Ø)	4...11 mm
Protection	IP65 and IP67 when plugged and screwed down (EN 60529)

General data

Temperature range	-40...+70 °C
-------------------	--------------

Commercial data

country of origin	RO
customs tariff number	85366990
EAN	4048879113908
eClass	27279221
Packaging unit	1.000