

## MPOT POTENTIOMETER MODULE

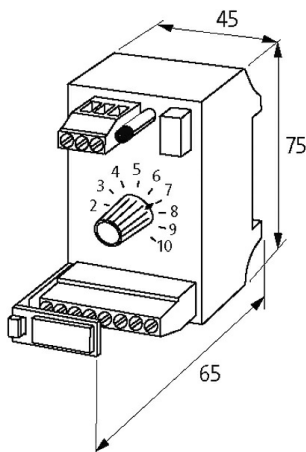
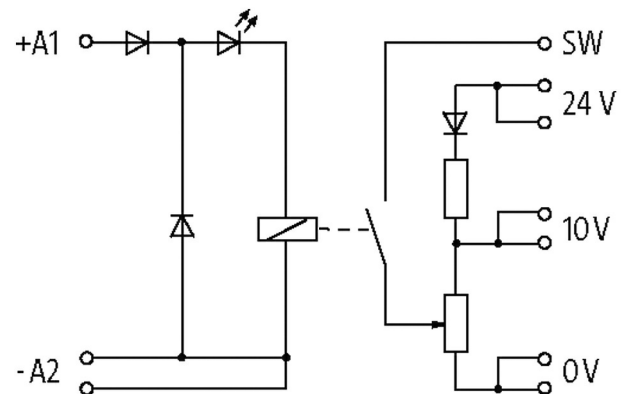
10K-Ohm/270 degree with relay

270° potentiometer  
with relay contact  
10 kΩ

The 10-turn potentiometer has a decimal scale and locking lever

### Link to Product

#### Illustration



Product may differ from Image

#### Technical Data

Resistance tolerance	±20%
Linearity	±3%
Power (potentiometer)	1 W
Power (resistor)	0.25 W

#### General data

Mounting method	DIN-rail mountable (EN 60715)
Temperature range	0...+60 °C
Dimensions H×W×D	75×45×65 mm

#### Output

Contact material	Pd Ni-Au Rh
------------------	-------------

Switching voltage	10 V DC, 24 V DC
Switching current per output	1 mA/1 A

**Input**

Input voltage	24 V DC
LED display	LED (green)
Input current	20 mA

**Description**

Functional description	The potentiometer modules are fitted with standard values. They are available as 270° potentiometer and as 10-turn potentiometer with fine adjustment. They can be operated with 10 V DC or 24 V DC. A resistor reduces the voltage so that a 24 V DC voltage c
------------------------	---

**Commercial data**

country of origin	CZ
customs tariff number	85334010
EAN	4048879041607
eClass	27371227
Packaging unit	1.000