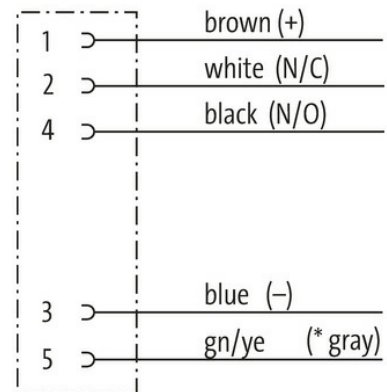


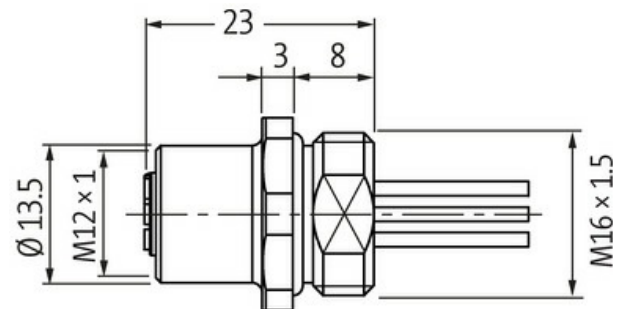
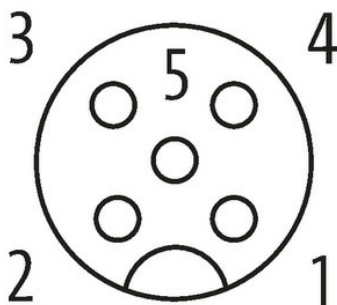
**M12 female recept. A-cod. front F&B**

PP-wires 5x0.34 0.5m

F&B  
 Flange female  
 M12, 5-pole  
 Front mounting  
 with multi-strand wire  
 Stainless steel 1.4404 (V4A)

**[Link to Product](#)****Illustration**

(\* for cable type 902, 972)

**Female**

Product may differ from Image

**Form**

Form 13561

**Technical Data**

Operating voltage max. 125 V AC/DC

|   |  |
|---|--|
| Rated surge voltage                       | 1.5 kV   |
| Operating current per contact             | max. 4 A   |
| No. of poles                              | 5  |
| Material group                            | IEC 60664-1, category I  |
| Coding                                    | A-coded  |
| LED display                               | no   |
| Locking of ports                          | Screw thread (M12×1 mm) recommended torque 0.6 Nm, self-securing |
| Compression gland                         | M12 (SW14)   |
| Protection NEMA                           | 3, 4, 6P (UL 50E)  |
| Material                                  | Stainless steel 1.4404 (V4A)                                     |
| Locking material                          | Stainless steel 1.4404 (V4A)                                     |
| suitable for corrugated tube (internal Ø) | without  |

#### General data

|                            |                          |
|----------------------------|--------------------------|
| Standards                  | DIN EN 61076-2-101 (M12) |
| Mounting method            | inserted, tightened      |
| Material (contact)         | Copper alloy             |
| Material (contact surface) | Au                       |
| Material (gasket)          | EPDM                     |
| Pollution Degree           | 3                        |
| Temperature range          | -25...+85 °C             |

#### Cables

|                            |                          |
|----------------------------|--------------------------|
| No./diameter of wires      | 5× 0.34 mm <sup>2</sup>  |
| Wire isolation             | PUR (br, wh, bl, bk, gr) |
| Outer Ø                    | 1.3 mm ±5%               |
| Cable number               | 972                      |
| Material (wire)            | Cu wire, tin plated      |
| Resistor (core)            | max. 58 Ω/km (20 °C)     |
| Nominal voltage            | 300 V AC                 |
| Test voltage               | 1500 V AC                |
| Temperature range (fixed)  | -40...+90 °C             |
| Temperature range (mobile) | -25...+90 °C             |

#### Commercial data

|                       |               |
|-----------------------|---------------|
| country of origin     | DE            |
| customs tariff number | 85444290      |
| EAN                   | 4048879363723 |
| eClass                | 27279218      |
| Packaging unit        | 1.000         |