

## M12 MALE ON REAR OF MSUD VALVE PLUG FORM B 10 MM

Form B (10 mm) – M12, connector at the rear

24 V AC  $\pm 20\%$  / DC  $\pm 25\%$

LED and suppression

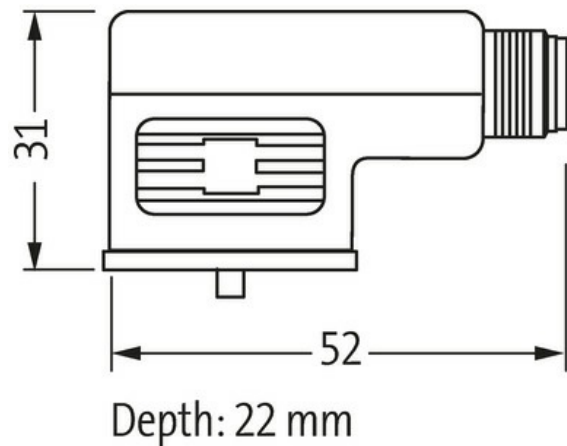
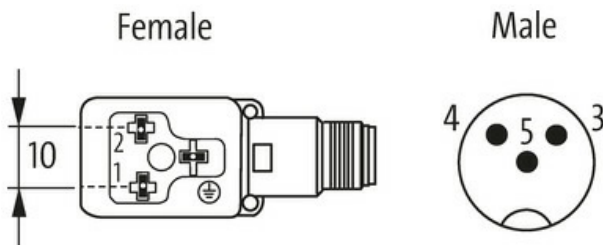
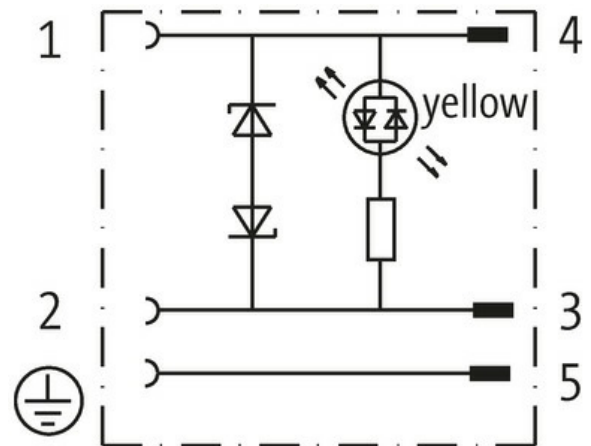
3-pole

Plastic housings with good resistance against chemicals and oils.

The resistance to aggressive media should be individually tested for your application. Further details on request.

### [Link to Product](#)

#### Illustration



Product may differ from Image



#### Form

Form 41961

#### Technical Data

Operating voltage 24 V AC  $\pm 20\%$  / DC  $\pm 25\%$

Rated surge voltage 0.8 kV

Operating current per contact max. 4 A

|                  |   |
|------------------|---|
| Locking of ports | M3/M12×1 mm (recommended torque 0.4/0.6 Nm) |
| Protection       | IP67 inserted and tightened (EN 60529)      |
| Configuration    | 2 contacts + PE                             |

**General data**

|                   |              |
|-------------------|--------------|
| Temperature range | -25...+85 °C |
|-------------------|--------------|

**Commercial data**

|                       |               |
|-----------------------|---------------|
| country of origin     | CZ            |
| customs tariff number | 85366990      |
| EAN                   | 4048879143349 |
| eClass                | 27143423      |
| Packaging unit        | 1.000         |