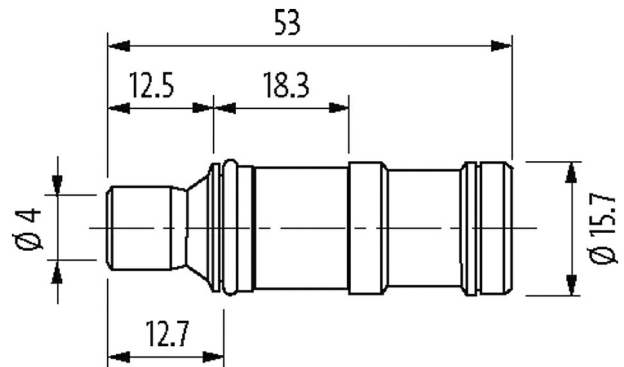


MODL. VARIO insert for fixed housing type B

4/2 shut-off, nickel plated brass

Insert - stationary housing
Brass, nickel plated
with shut-off
AD4

[Link to Product](#)**Illustration**

Product may differ from Image

Form

Form MVT1820-062406021

Technical Data

| | |
|------------|--|
| Protection | IP65, IP66K, IP67, IP68, IP69K inserted and tightened (EN 60529) |
| Material | Brass, nickel plated |
| Barrier | with |

General data

| | |
|-------------------|---------------|
| Temperature range | -20...+120 °C |
| Pressure range | 0...16 bar |
| Hose outer Ø | 4 mm |
| Gasket | FPM |

Commercial data

| | |
|-----------------------|---------------|
| country of origin | DE |
| customs tariff number | 74198090 |
| EAN | 4048879573733 |
| eClass | 27260702 |
| Packaging unit | 1.000 |