

**M12 male on back A-cod. / MSUD double valve B-10mm**

PVC 3x0.75 ye 0m

Form B (10 mm) – M12, connector at the rear

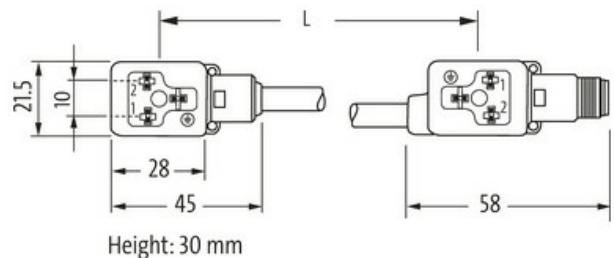
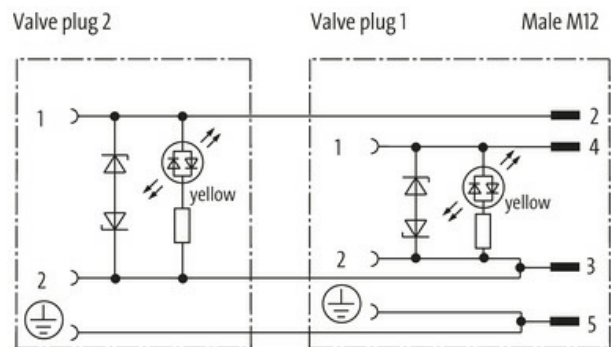
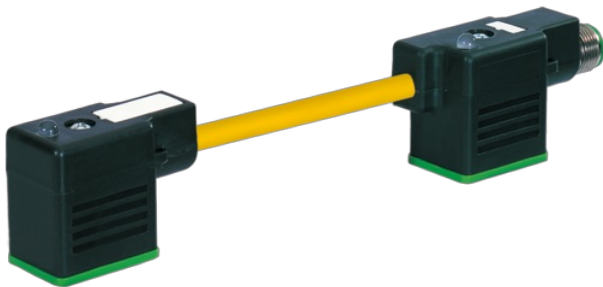
24 V AC  $\pm 20\%$  / DC  $\pm 25\%$ 

LED and suppression

Connection cable L = 100 mm

Plastic housings with good resistance against chemicals and oils.

The resistance to aggressive media should be individually tested for your application. Further details on request.

**[Link to Product](#)****Illustration**

Product may differ from Image

**Form**

Form 41681

**Technical Data**

|                               |   |
|-------------------------------|---|
| Operating voltage             | 24 V AC $\pm 20\%$ / DC $\pm 25\%$            |
| Operating current per contact | max. 4 A                                      |
| Current consumption           | approx. 12 mA                                 |
| Switch off peak               | max. 55 V                                     |
| LED display                   | (yellow)                                      |
| Locking of ports              | M3 (recommended torque 0.4 Nm)                |
| Protection                    | IP66K, IP67 inserted and tightened (EN 60529) |
| Housing                       | Black plastic (gray on request)               |
| Switch off delay time         | max. 20 ms                                    |

**General data**

The information in this brochure has been compiled with the utmost care.  
Liability for the correctness completeness and topicality of the information is restricted to gross negligence. Version: 03/22

Temperature range -25...+85 °C, depending on cable quality

| <b>Cables</b>                      |  |
|------------------------------------|--|
| No./diameter of wires              | 3× 0.75 mm <sup>2</sup>                          |
| Wire isolation                     | PVC (bk num, gnye)                               |
| Outer Ø                            | 5.9 mm ±5%                                       |
| Cable identification               | 016  |
| Cable Type                         | 1 (PVC)  |
| Approval (cable)                   | CE conform                                       |
| Cable weight [g/m]                 | 63,8 g   |
| Material (wire)                    | Cu wire, bare                                    |
| Resistor (core)                    | max. 26 Ω/km (20 °C)                             |
| Single wire Ø (core)               | 0.2 mm   |
| Construction (core)                | 24× 0.2 mm (multi-strand wire class 5)           |
| Diameter (core)                    | 3× 0.75 mm <sup>2</sup>                          |
| AWG                                | similar to AWG 18                                |
| Material (wire isolation)          | PVC  |
| Material property (wire isolation) | CFC-, cadmium-, silicone- and lead-free          |
| Shore hardness (wire isolation)    | 43 ±5 D  |
| Wire-Ø incl. isolation             | 1.8 mm ±5%                                       |
| Color/numbering of wires           | bk numbered, gnye longitudinally striped         |
| Stranding combination              | 3 wires twisted                                  |
| Shield                             | no   |
| Material (jacket)                  | PVC  |
| Material property (jacket)         | CFC-, cadmium-, silicone- and lead-free          |
| Shore hardness (jacket)            | 80 ±5 A  |
| Outer-Ø (jacket)                   | 5.9 mm ±5%                                       |
| Color (jacket)                     | yellow   |
| Cable labeling                     | see frame delivery specifications 7000-00000-001 |
| Jacket Color                       | yellow   |
| chemical resistance                | good resistance to oil, gasoline and chemicals   |
| Nominal voltage                    | 300/500 V AC                                     |
| Test voltage                       | 3000 V AC  |
| Current load capacity              | to DIN VDE 0298-4                                |
| Temperature range (fixed)          | -30...+70 °C                                     |
| Temperature range (fixed)          | -30...+70 °C                                     |
| Temperature range (mobile)         | -5...+70 °C                                      |
| Temperature range (mobile)         | -5...+70 °C                                      |
| Bend radius (fixed)                | 5× outer Ø                                       |
| Bend radius (moving)               | 10× outer Ø                                      |
| Bend radius (moving)               | 10× outer Ø                                      |
| Material (jacket)                  | PVC  |
| <b>Commercial data</b>             |  |
| country of origin                  | CZ   |
| customs tariff number              | 85444290   |
| eClass                             | 27061801   |
| Packaging unit                     | 1.000  |