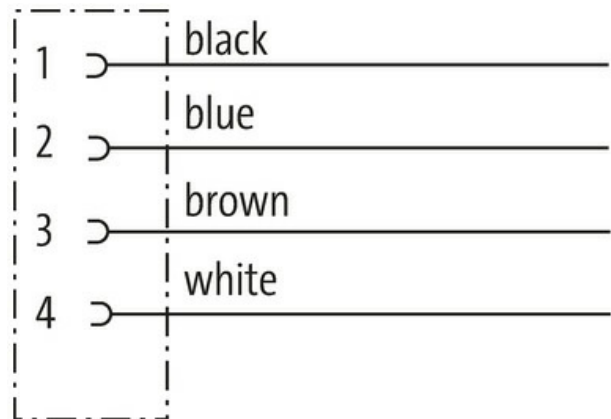
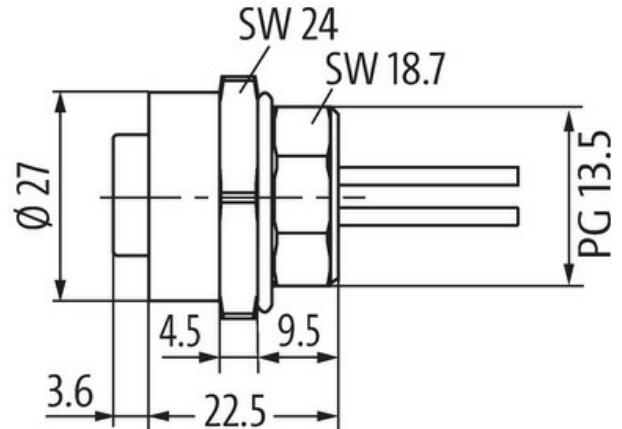
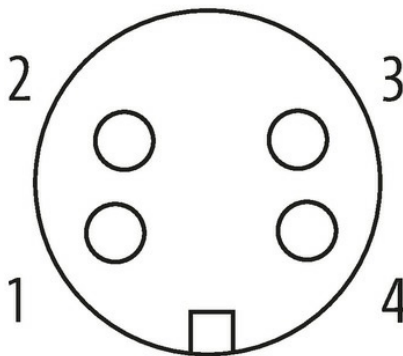


7/8" FEMALE FLANGE PLUG

Wire 4X0.75 0.2m

Flange female
7/8" (4-pole)
with multi-strand wire

[Link to Product](#)**Illustration****Female**

Product may differ from Image

**Form**

Form 78361

Technical Data

Operating voltage	max. 300 V; max. 600 V (UL)
Rated surge voltage	4.0 kV
Operating current per contact	max. 7 A
Material group	IEC 60664-1, category III

Locking of ports	Screw thread 7/8" (recommended torque 1.5 Nm) self-securing
Compression gland	7/8" (SW24)
Protection	IP68 inserted and tightened (EN 60529)

General data

Material (contact)	Brass, gold plated
Pollution Degree	3
Temperature range	-25...+85 °C

Cables

No./diameter of wires	4x 0.75 mm ²
Wire isolation	PVC (br, wh, bl, bk)
Cable number	977

Commercial data

country of origin	DE
customs tariff number	85444290
EAN	4048879134651
eClass	27279218
Packaging unit	1.000