

M12 male 0°/ M12 female recept. A-cod. shielded

PUR 0.20+0.38 shielded gn UL/CSA+drag ch. 1.5m

Ethernet CAT5

Male straight – flange female straight

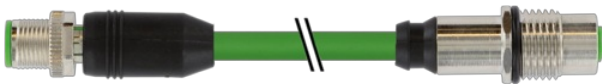
M12 – M12, 8-pole

shielded

Further cable lengths on request.

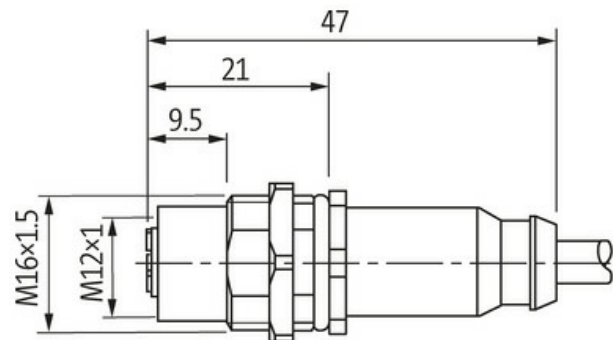
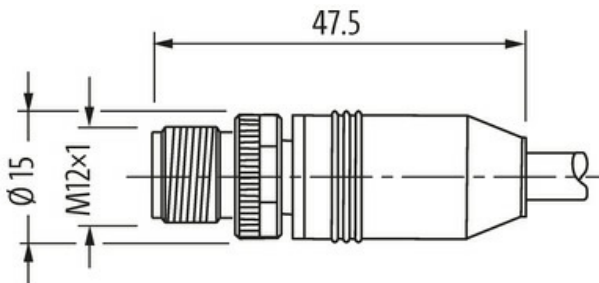
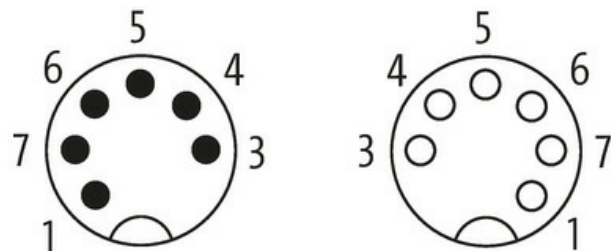
Plastic housings with good resistance against chemicals and oils.

The resistance to aggressive media should be individually tested for your application. Further details on request.

[Link to Product](#)**Illustration**

Male

Female



Product may differ from Image

EtherNet/IP

EtherCAT

Form

Form SS085

Technical Data

| | |
|-------------------------------|--|
| Operating voltage | max. 30 V AC/DC |
| Rated surge voltage | 0.8 kV |
| Operating current per contact | max. 2 A |
| Transfer parameters | CAT5, Class D (ISO/IEC 11801:2002), (EN 50173-1) |
| Transfer rate | up to 100 Mbit/s full duplex |
| Material group | IEC 60664-1, category I |

| | |
|-------------------|--|
| Coding | A-coded |
| Locking of ports | Screw thread (M12×1 mm) recommended torque 0.6 Nm, self-securing |
| Compression gland | M12 (SW13) |
| Protection | IP67 inserted and tightened (EN 60529) |
| Protection NEMA | 3, 4, 6P (UL 50E) |
| Material | PUR |
| Locking material | Zinc die casting, matte nickel plated |

General data

| | |
|-------------------|--|
| Pollution Degree | 3 |
| Temperature range | -25...+85 °C, depending on cable quality |

Cables

| | |
|----------------------------|-------------------------|
| No./diameter of wires | 2× 2× 0.20 + 1× 2× 0.38 |
| Wire isolation | PO (gnye, pkbl, rdbk) |
| C-track properties | 5 Mio. |
| Outer Ø | 6.9 mm ±5% |
| Cable number | 880 |
| Shield | yes |
| optical shield cover | min. 85% |
| Material (jacket) | PUR |
| Jacket Color | green |
| Temperature range (fixed) | -20...+80 °C |
| Temperature range (mobile) | -20...+60 °C |
| Bend radius (moving) | 10× outer Ø |
| Torsion stress | ±30°/m |
| Material (jacket) | PUR (UL/CSA) |

Commercial data

| | |
|-----------------------|---------------|
| country of origin | DE |
| customs tariff number | 85444290 |
| EAN | 4048879618076 |
| eClass | 27061801 |
| Packaging unit | 1.000 |