

## EUROCARD HOLDER

SKP 96/IC (ST)

Screw terminals

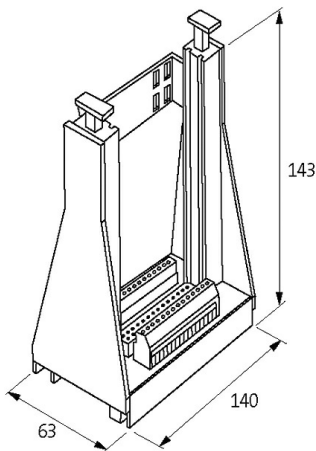
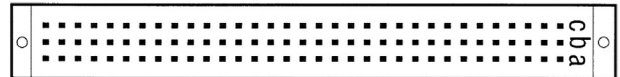
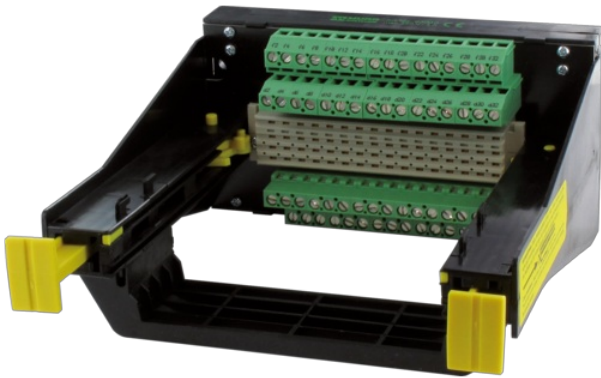
96-pole C (EN 60603)

Row a, b, c

With the vertical snap adapter SASA 135 Art.-No. 63900 the holder can be mounted at right-angles on the rail.  
The D2 size is for a card without a front plate.

### [Link to Product](#)

#### Illustration



Product may differ from Image

#### Technical Data

Operating voltage	125 V AC
Operating current	max. 1 A
Material group	EN 60664-1 over voltage, category I
Material	Plastic, flame retardant
Configuration	96-pole C (EN 60603)

#### General data

Mounting method	DIN-rail mountable (EN 60715) or screw fixing
Connection	4 mm <sup>2</sup> single core
Dimensions H×W×D	140×62×177 mm

#### Description

## Functional description

To insert the card first press down the 2 yellow buttons. Then slide the Eurocard into the guide slots pushing until fully engaged. The card is now locked into position. It can be removed by pressing down on the 2 yellow buttons.

**Commercial data**

country of origin	CZ
customs tariff number	85366990
EAN	4048879039956
eClass	27260710
Packaging unit	1.000