

**Mini (7/8) 5 pole, Male (Ext.) 90° w/ Cable**

PVC 5x16AWG ye UL/CSA, STOOW

Male 90°

7/8" (5-pole)

Power cable

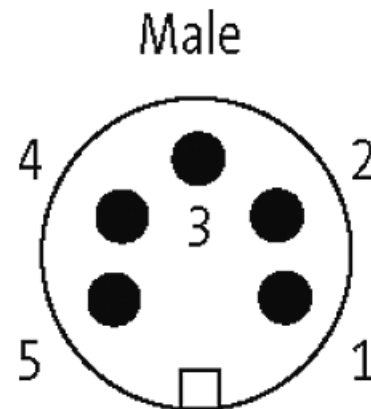
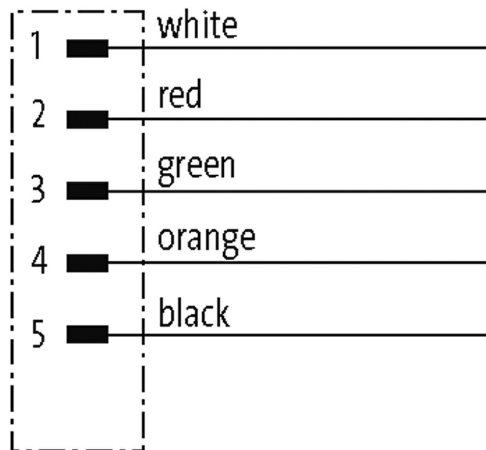
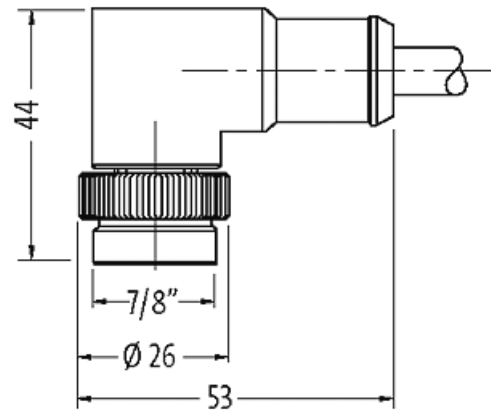
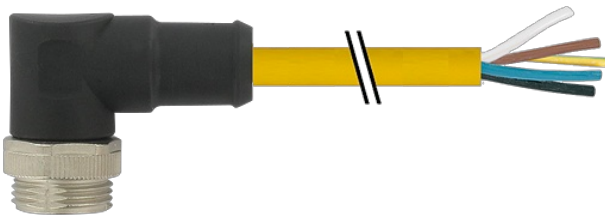
USA

without cable sleeves

Further cable lengths on request.

Plastic housings with good resistance against chemicals and oils.

The resistance to aggressive media should be individually tested for your application. Further details on request.

**Link to Product****Illustration**

Product may differ from Image



\* only for products with UL/CSA approved cable

**Form**

Form A5011

**Technical Data**

Operating voltage max. 600 V AC/DC

Rated surge voltage	4.0 kV
Operating current per contact	max. 9 A
No. of poles	5
LED display	no
Locking of ports	Screw thread 7/8" (recommended torque 1.5 Nm) self-securing
Compression gland	7/8" (SW24)
Protection	IP68 inserted and tightened (EN 60529)
Locking material	Zinc die casting, matte nickel plated
Material	PUR

#### General data

Mounting method	inserted, tightened
Pollution Degree	3
Temperature range	-25...+80 °C, depending on cable quality

#### Cables

Cable number	UBD
No./diameter of wires	5x 1.5 mm <sup>2</sup>
Construction (core)	approx. 3.1 mm
Wire isolation	PVC (bk, or, gn, rd, wh)
Jacket Color	yellow
Material (jacket)	PVC (UL/CSA)
Outer Ø	12.7 mm ±5%
Bend radius (fixed)	10x outer Ø
Bend radius (moving)	15x outer Ø
Temperature range (fixed)	-50...+105 °C
Temperature range (mobile)	-20...+90 °C

#### Commercial data

customs tariff number	85444290
EAN	4048879644525
eClass	27279218
Packaging unit	1