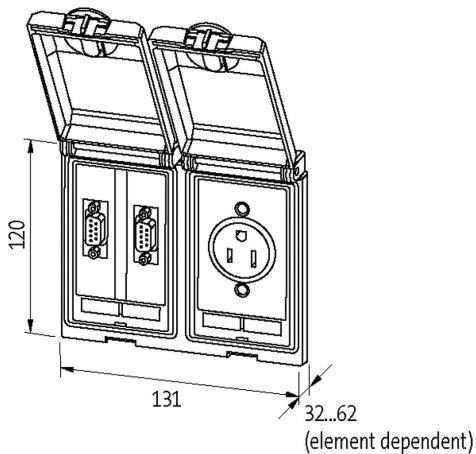


Modlink MSDD-set: Frame 4000-68122-0000000,
insert 4000-68000-0040000 + 4000-68000-1210000

[Link to Product](#)

Illustration



Product may differ from Image

Frame	
suitable for mounting with wall thickness	1...5 mm
Protection	IP65
Temperature range	-10...+60 °C (storage temperature -25...+60 °C)
Housing	Zinc die-casting, KTL coated
RJ45	
Operating current (UL Rating)	max. 175 mA
Locking of ports	Snap In
Connection front side	RJ45
Connection rear side	RJ45
Operating voltage (UL Rating)	max. 30 V AC/42.4 V DC
Specification	CAT5e, Class D, 100 MHz, (EN 50173-1)
USA	
Operating current	15 A
Operating voltage	125 V AC
No. of poles	2 + PE
Connection	Screw terminals: max. 2× 2.5 mm ² (AWG 14)
Commercial data	
country of origin	CZ
customs tariff number	85389099
EAN	4048879035811
eClass	27189217
Packaging unit	1.000