

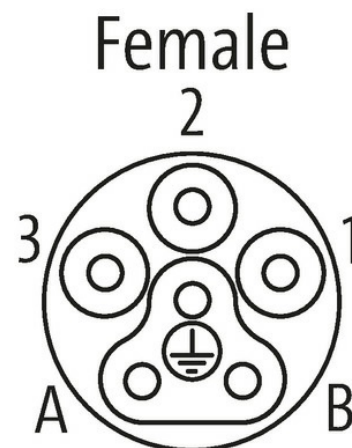
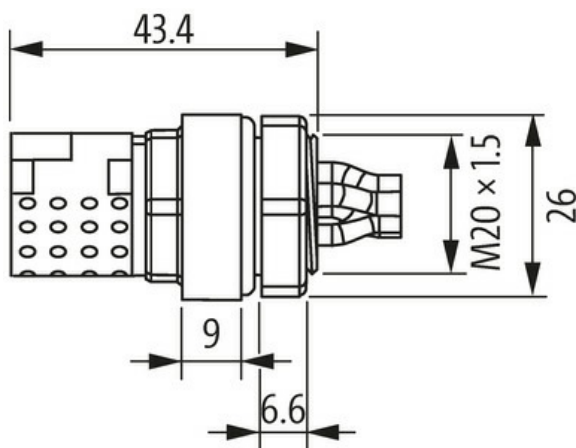
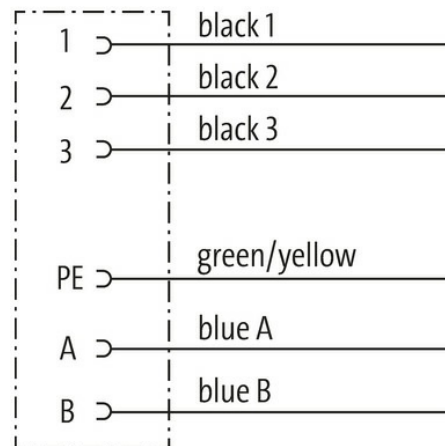
MQ15-X-Power fem. receptable shielded front mount

wires PVC 6x2.5 1m

Flange female
MQ15, 6-pole
with multi-strand wire
shielded housing
Front mounting

Plastic housings with good resistance against chemicals and oils.

The resistance to aggressive media should be individually tested for your application. Further details on request.
Further cable lengths on request.

[Link to Product](#)**Illustration**

Product may differ from Image

Form

Form P8391

Technical Data

| | |
|-------------------------------|---|
| Operating voltage | max. 600 V AC (Power); max. 63 V AC/DC (Signal) |
| Rated surge voltage | 2.5 kV |
| Operating current per contact | max. 16 A (Power); max. 10 A (Signal) |
| No. of poles | 6 |
| Material group | IEC 60664-1, category I |

| | |
|------------------|--|
| Mating cycles | ≥ 500 |
| LED display | no |
| Locking of ports | Quick connection, 1/4 turn |
| Protection | IP67 inserted and tightened (EN 60529) |
| Material | Brass, nickel plated |
| Configuration | fully used |

General data

| | |
|----------------------------|--|
| Mounting method | inserted, tightened |
| Material (contact) | Copper alloy |
| Material (contact surface) | Ag |
| Pollution Degree | 3 |
| Temperature range | -40...+90 °C, depending on cable quality |
| Material (contact carrier) | PA |

Cables

| | |
|---------------------------|--------------------------------------|
| No./diameter of wires | 6× 2.5 mm ² |
| Wire isolation | PVC (bk, bl, num, gnye) |
| Outer Ø | 3.7 mm ±5% |
| Cable identification | P80 |
| Cable number | P80 |
| Material (wire) | Cu wire, tin plated |
| Construction (core) | multi-strand wire class 5 (EN 60228) |
| Diameter (core) | 6× 2.5 mm ² |
| AWG | similar to AWG 14 |
| Material (wire isolation) | PVC |
| Wire-Ø incl. isolation | 3.7 mm ±5% |
| thermal resistance | flame retardant UL VW1, CSA FT1 |
| Nominal voltage | 600 V |
| Test voltage | 2500 V AC |

Commercial data

| | |
|-----------------------|---------------|
| country of origin | DE |
| customs tariff number | 85444290 |
| EAN | 4048879751810 |
| eClass | 27279221 |
| Packaging unit | 1.000 |