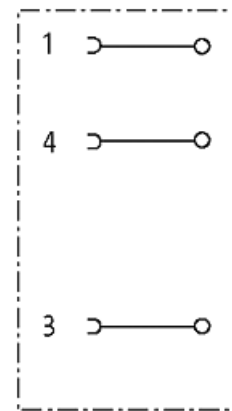
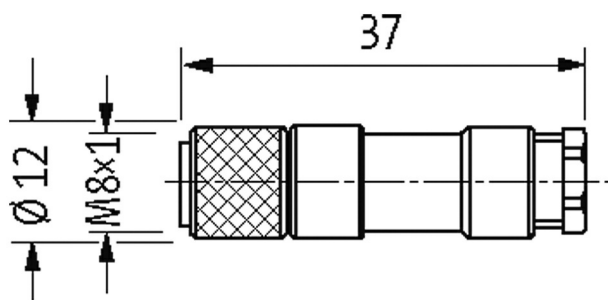
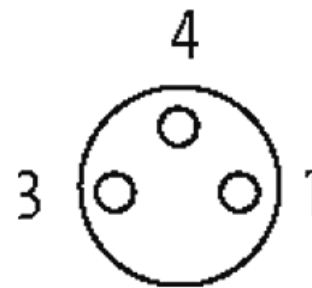


**M8 FEMALE 0° FIELD-WIREABLE (SOLDER PINS)**3-pol. 0.25mm<sup>2</sup>

Female straight  
M8, 3-pole  
with solder pins  
Connection cross section: max. 0.25 mm<sup>2</sup>

[Link to Product](#)**Illustration**

Female



Product may differ from Image

**Form**

Form 08481

**Technical Data**

Operating voltage	max. 60 V AC/DC
Operating current per contact	max. 4 A
Connection cross section	max. 0.25 mm <sup>2</sup>
Sealing range (cable Ø)	3.5...5.0 mm
Protection	IP67 inserted and tightened (EN 60529)

**General data**

Temperature range	-25...+85 °C
Dimensions H×W×D	37×12×12 mm

**Commercial data**

country of origin DE

customs tariff number	85366990
EAN	4048879224628
eClass	27279221
Packaging unit	1