

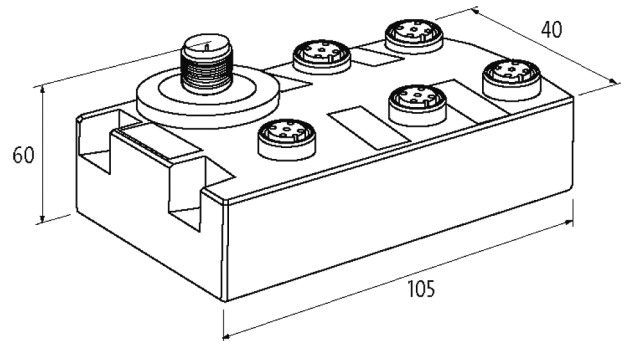
TREE M-5TX IP67 Lite managed Switch 5 Ports

5x10/100BT IP67

5 port managed switch
 5× M12 (female), D-coded
 Supply PIN 1/3
 Connection cables are in the online shop under "Connection Technology".

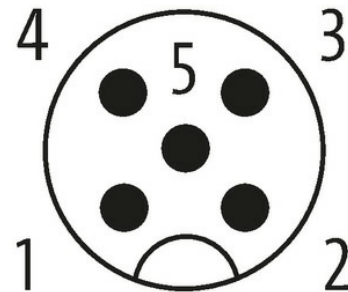
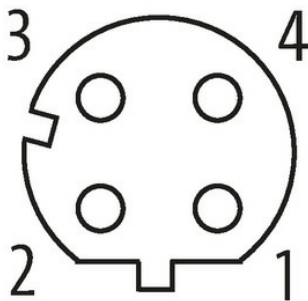
[Link to Product](#)

Illustration

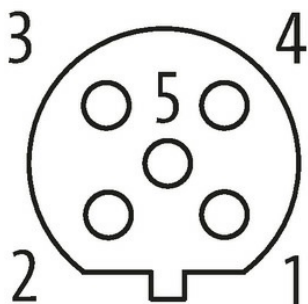


Female

Male



Female



Product may differ from Image

Technical Data	
Operating voltage	9.5...31.5 V
Transfer rate	10/100 Mbit/s full duplex
Operating modes	Autocrossing Autonegotiation
General data	
Mounting method	3 hole screw mounting
Temperature range	0...+60 °C (storage temperature -40...+85 °C)
Housing	Black plastic
Protection	IP67
Dimensions H×W×D	105×60×40 mm
Connections	
Fieldbus	5× M12 (female), D-coded
Supply	1× M12 (male), A-coded
Switch Management	
Protocols	DHCP, SNMP (v1, v2c, v3), RSTP, STP, LLDP, NTP, RMON, SSH (CLI)
Port Mirroring	yes
VLAN (QoS) IEEE 802.p	yes
Alarm contact	no
Remote maintenance	Open VPN
Webserver	HTTP, HTTPS
Switch Form	Lite - Managed Switch
Diagnostic	
Communication status	via LED, LLDP
Monitoring - no voltage	yes
Commercial data	
country of origin	DE
customs tariff number	85176200
EAN	4048879718301
eClass	19170106
Packaging unit	1.000