

CAP FOR D-BOX M12 8-WAY 5-POLE

Pot.-sep. 10m PUR/PVC-JB, 16x0,34+5x0,75

for 8-way distribution boxes, 5-pole

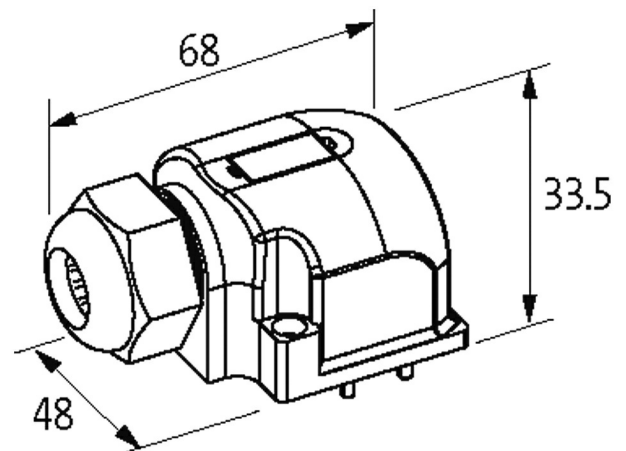
PUR/PVC

10.0 m

potentially separated

New Art.-No. 8000-88659-4041000

Plastic housings with good resistance against chemicals and oils.

[Link to Product](#)**Illustration**

Product may differ from Image

**Technical Data**

Total current max. 2x 8 A

General data

Dimensions HxWxD 33x48x68 mm

Cables

Cable number 404

No./diameter of wires 16x 0.34 + 5x 0.75 mm²

Wire isolation PVC

C-track properties 1.5 Mio.

Jacket Color gray

Material (jacket) PUR/PVC

Material (wire) Cu wire, bare

Resistor (core) max. 57 Ω/km (0.34 mm²), max. 26 Ω/km (0.75 mm²); (20 °C)

Outer Ø 12.5 mm ±5%

Bend radius (fixed) 10x outer Ø

Bend radius (moving) 12x outer Ø

Temperature range (fixed) -30...+80 °C

Temperature range (mobile) -30...+80 °C

Commercial data

country of origin	CZ
customs tariff number	85444290
EAN	4048879058094
eClass	27143423
Packaging unit	1