

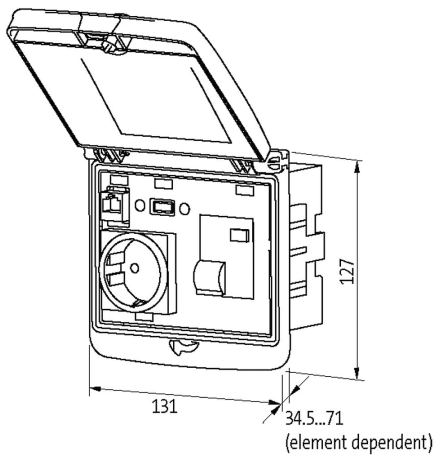
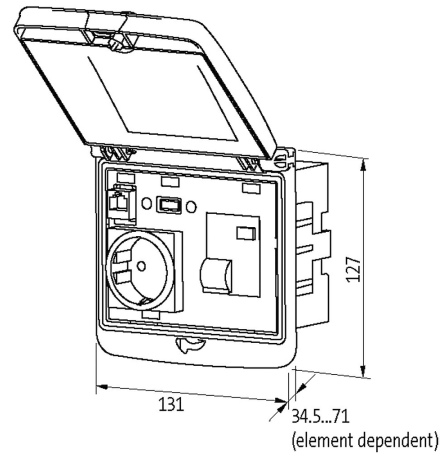
MODLINK MSDD FRAME DBL METALIC

Closure 3 mm double bit incl. pluggable knob

Frame: plastic PA black

Lid: plastic, ABS gray

Closure: 3 mm double bit
with attachable rotation knob

[Link to Product](#)**Illustration**

Product may differ from Image

**Frame**

suitable for mounting with wall thickness	1...5 mm
Protection	IP65
Temperature range	-30...+70 °C (storage temperature -30...+80 °C)
Housing	Frame: plastic PA black, cap: plastic ABS metallic

General data

Dimensions H×W×D	127×131×43 mm
------------------	---------------

The information in this brochure has been compiled with the utmost care.
Liability for the correctness completeness and topicality of the information is restricted to gross negligence. Version: 03/22

Commercial data

country of origin	DE
customs tariff number	85389099
EAN	4048879368865
eClass	27189217
Packaging unit	1.000