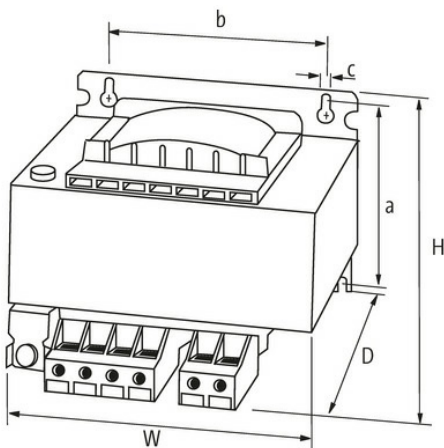
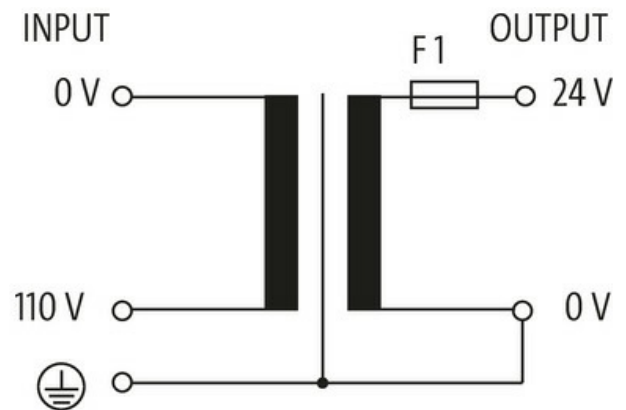


**MET SINGLE-PHASE SAFETY TRANSFORMER**

P:100VA IN:110VAC OUT:24VAC with fuse-clamp

Single-phase - Control and Isolation Transformers  
 100 VA  
 Isolation class T 60/B  
 with fuse

[Link to Product](#)**Illustration**

Product may differ from Image

**General data**

Standards	EN 61558-1, EN 61558-2-6, EN 62041 category 0
Mounting method	Key-hole mounting
Temperature range	-20...+60 °C (storage temperature -40...+80 °C)
Test isolation voltage	3.5 kV
Drill hole Ø	4.8x8 mm
Fixing centers a×b×c	47×64×4.8 mm

The information in this brochure has been compiled with the utmost care.  
 Liability for the correctness completeness and topicality of the information is restricted to gross negligence. Version: 03/22

Dimensions H×W×D 82×6×105 mm

**Output**

Output voltage 24 V AC  
Output rating 100 VA

**Input**

Input voltage 110 V AC  
Inrush current 9 A (110 V AC)  
Short-circuit current 12 A (110 V AC)  
Input current 1.07 A (110 V AC)  
Frequency 50...60 Hz

**Commercial data**

country of origin CZ  
customs tariff number 85043180  
EAN 4048879073776  
eClass 27031202  
Packaging unit 1.000