

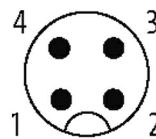
IO-Link / analog converter

AI I 0 ... 20mA, M12, straight

IOL AI-I-STR-0...20 mA-UNI

IO-Link V1.1

Connection cables are in the online shop under "Connection Technology".

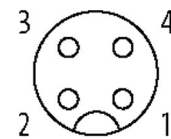
Link to Product**Illustration****Male**

PIN 1: +24 V (L+)

PIN 2: n.c.

PIN 3: GND

PIN 4: C/Q, IO-Link

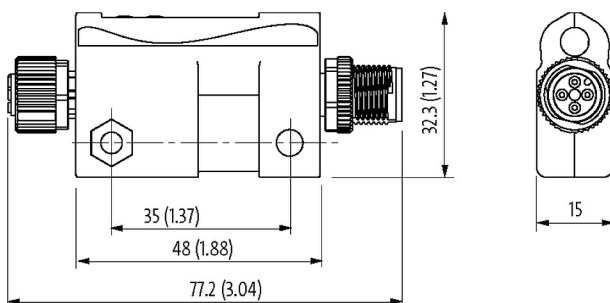
Female

PIN 1: +Us

PIN 2: A+

PIN 3: GND (Analog Us)

PIN 4: A-



Product may differ from Image

**General data**

Temperature range	-30...+70 °C (storage temperature -40...+85 °C)
Material (housing)	Plastic
Labeling	Laser labelled
Protection	IP65/IP67
Dimensions H×W×D	32.3×77.2×15 mm

Module supply

Operating voltage	24 V DC (18...30 V DC)
Current consumption	max. 19 mA

Input

Input resistor (analog)	232 Ω
Invers-polarity protection	yes, permanently
Sensor supply US	24 V DC (EN 61131-2), max. 200 mA

The information in this brochure has been compiled with the utmost care.

Liability for the correctness completeness and topicality of the information is restricted to gross negligence. Version: 03/22

Murrelektronik Ltd. | 5 Albion Street, Pendlebury Industrial Estate, Swinton | Manchester M27 4FG | Fon +44 161 728 3133 | Fax +44 161 728 3130 | shop@murrelektronik.co.uk | shop.murrelektronik.co.uk

Over voltage protection	30 V DC
Accuracy	0.10% (25 °C)
Conversion time (analog)	max. 5 ms
Resolution (analog)	15 Bit + sign
Valency	348 nA
Input range (analog)	0...20 mA
Temperature drift	45 ppm/°K
Input filter	yes, mean value formation, parameterizable N = 0...64

IO-Link

Data width	16 Bit / 2 Byte
Specification	IO-Link V1.1
Port Class	A
Data format	Siemens S7
Operating modes	COM2 (38.4 kbit/s)
Cycle time	min. 2.3 ms

Parameterization

Mean value filter	1 Byte
upper limit	2 Byte
lower limit	2 Byte
Measured value	preset
Diagnostics	lower limit, upper limit, over heated, supply over voltage, supply under voltage, defective device, sensor supply over current, overrun

Connections

IO-Link	M12 (male) 5-pole, A-coded
Analog input	M12 (female) 5-pole, A-coded, shielded

Protection

Short-circuit protection sensor	yes, permanently
feed back resistance	yes, permanently
Reverse polarity protection module	yes, permanently
Over voltage protection	30 V DC

Diagnostic

Communication status	via LED and IO-Link
Diagnostic via LED	yes
Diagnostic via IO-Link	yes
Monitoring - under voltage	yes
Monitoring - over voltage	yes
Monitoring - temperature	yes
Underride and overrun	yes
Monitoring - limit	yes
Short-circuit and overload	yes

Commercial data

country of origin	DE
customs tariff number	85389099
EAN	4048879622165
eClass	27242601
Packaging unit	1.000