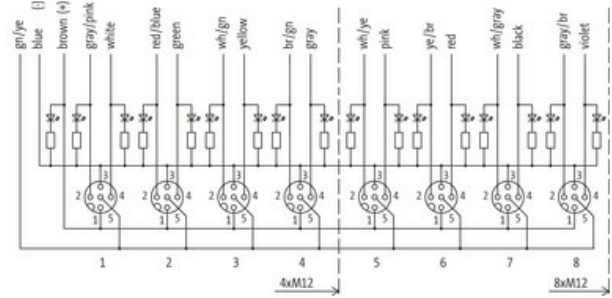
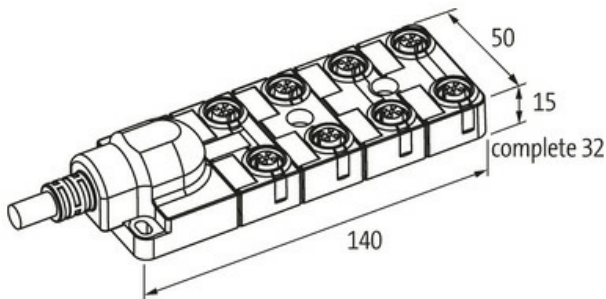
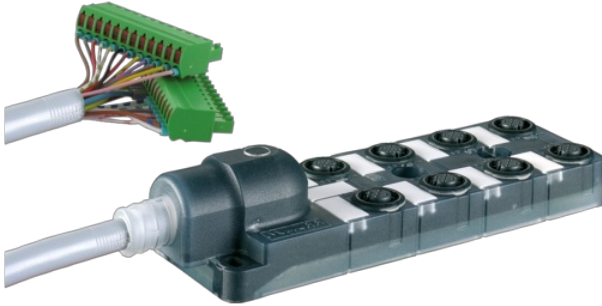


EXACT12, 8XM12, 5-POLE, MOULDED CABLE

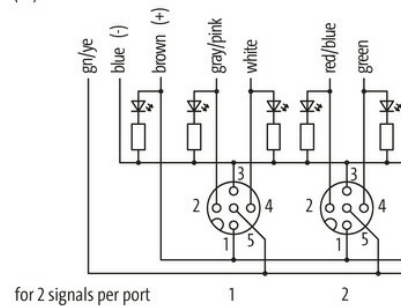
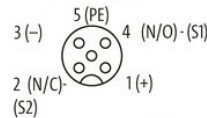
3.0m PUR/PVC 16x0,34+3X0.75, UL/CSA

PUR/PVC

3.0 m

[Link to Product](#)**Illustration**

M12-Females 5-pole



Product may differ from Image

**Technical Data**

| | |
|-------------------------------|--------------------------|
| Operating voltage | 24 V DC |
| Operating current per contact | max. 4 A |
| Locking of ports | Screw thread (M12x1 mm) |
| Protection | IP65/IP67 |
| Housing | Plastic, flame retardant |

General data

| | |
|-------------------|--|
| Temperature range | -20...+70 °C, depending on cable quality |
|-------------------|--|

Cables

| | |
|-----------------------|--------------------------------------|
| No./diameter of wires | 16 x 0.34 + 3 x 0.75 mm ² |
| Wire isolation | PVC |
| C-track properties | 2 Mio. |

| | |
|------------------------------------|--|
| Outer Ø | 10.0 mm ±5% |
| Cable identification | 398 |
| Cable Type | 2 (PUR/PVC) |
| Cable number | 398 |
| Approval (cable) | UL (AWM-Style 21441/10955), CE conform |
| Cable weight [g/m] | 165 g |
| Material (wire) | Cu wire, bare |
| Resistor (core) | max. 57 Ω/km (0.34 mm ²), max. 26 Ω/km (0.75 mm ²); (20 °C) |
| Single wire Ø (core) | 0.15 mm |
| Construction (core) | 19× 0.15 mm (0.34 mm ²); 42× 0.15 mm (0.75 mm ²); (multi-strand wire class 5/6) |
| Diameter (core) | 16× 0.34 + 3× 0.75 mm ² |
| AWG | similar to AWG 22 (0.34 mm ²); similar to AWG 19 (0.75 mm ²) |
| Material (wire isolation) | PVC |
| Material property (wire isolation) | CFC-, cadmium-, silicone- and lead-free |
| Shore hardness (wire isolation) | 43 ±5 D |
| Wire-Ø incl. isolation | 1.3 mm ±5% (0.34 mm ²); 1.8 mm ±5% (0.75 mm ²) |
| Color/numbering of wires | wh, grpk, brgn, ye, whgn, gn, rdbr, vi, grbr, bk, whgr, rd, yebr, pk, whye, gr+bl, br, gnye longitudinally striped |
| Shield | no |
| Material (jacket) | PUR/PVC |
| Shore hardness (jacket) | 87 ±5 A |
| Outer-Ø (jacket) | 10.0 mm ±5% |
| Color (jacket) | gray |
| Jacket Color | gray |
| chemical resistance | good resistance to oil, gasoline and chemicals (EN 60811-404) |
| Nominal voltage | U0/U 300/300 V AC |
| Test voltage | 2000 V AC |
| Current load capacity | to DIN VDE 0298-4 |
| Temperature range (fixed) | -30...+80 °C |
| Temperature range (mobile) | -5...+60 °C |
| Bend radius (fixed) | 5× outer Ø |
| Bend radius (moving) | 10× outer Ø |
| Bend radius (moving) | 10× outer Ø |
| No. of bending cycles (C-track) | max. 2 Mio. (25 °C) |
| Travel speed (C-track) | max. 2 m/s |
| Acceleration (C-track) | max. 10 m/s ² |
| Material (jacket) | PUR/PVC (UL/CSA) |

Contact Layout

| | |
|--|-----------|
| PIN 1 | (+) |
| PIN 2 | (NC)/(S2) |
| PIN 3 | (-) |
| PIN 4 | (NO)/(S1) |
| PIN 5 | (Earth) |
| LED (green): Power / LED (yellow): (S1) / LED (white): Signal (S2) | |

Commercial data

| | |
|-----------------------|---------------|
| country of origin | DE |
| customs tariff number | 85444290 |
| EAN | 4048879432863 |
| eClass | 27143423 |
| Packaging unit | 1.000 |