

MOSA VALVE PLUG 8MM FIELD-WIREABLE (IDC)

Form C (8 mm)

0...250 V AC/300 V DC

without components

Cable outlet can be turned in 90° steps

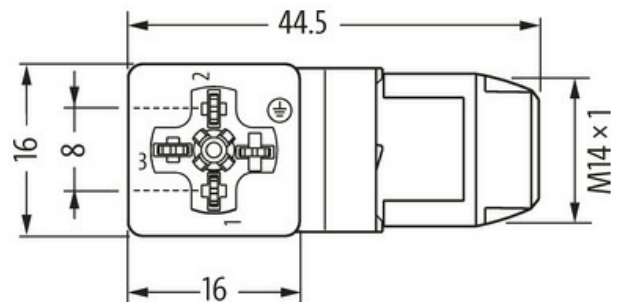
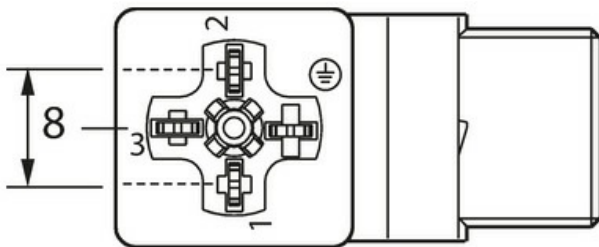
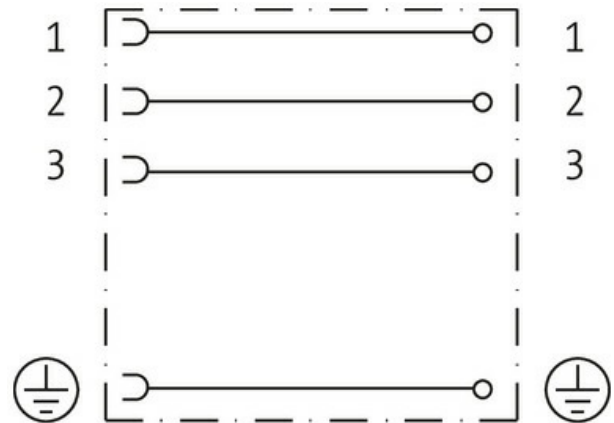
Insulation displacement technology IDC

Plastic housings with good resistance against chemicals and oils.

The resistance to aggressive media should be individually tested for your application. Further details on request.

[Link to Product](#)

Illustration



Height: 28 mm

Product may differ from Image

Form

Form 80101

Technical Data

Operating voltage	0...250 V AC/300 V DC
Operating current per contact	max. 3 A
Connection cross section	0.25...0.5 mm ² (conductor diameter min. 0.1 mm)
Sealing range (cable Ø)	4...6 mm
Protection	IP67 inserted and tightened (EN 60529)
Outer wire Ø	1.2...1.6 mm

General data

Temperature range	-25...+85 °C
Mounting set	M14x1 mm

Dimensions H×W×D 28×16×44.5 mm

Commercial data

country of origin	CZ
customs tariff number	85366990
EAN	4048879132329
eClass	27279218
Packaging unit	1.000