

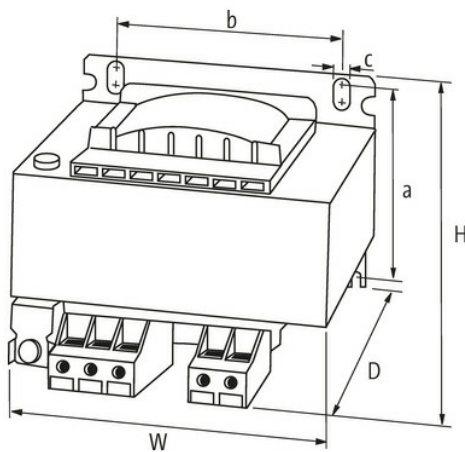
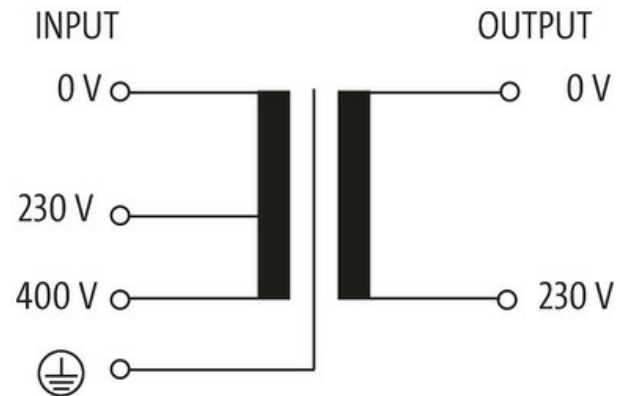
MTS 1-PHASE CONTROL AND ISOLATION TRANSFORMER

P: 100VA IN: 230/400VAC OUT: 230VAC

Single-phase - Control and Isolation Transformers
 100 VA
 Isolation class T 40/B
 Protection IP20
 Other voltages on request.

Link to Product

Illustration



Product may differ from Image



General data

Standards	EN 61558-1, EN 61558-2-4, EN 62041 category 0
Mounting method	Long-hole mounting or DIN-rail mountable TH35 (EN 60715)
Temperature range	-20...+40 °C (storage temperature -40...+80 °C)
Test isolation voltage	4 kV (prim./sec.)
Drill hole Ø	4.8x8.4 mm

Fixing centers a×b×c	56×56×4.8 mm
----------------------	--------------

Dimensions H×W×D	86×84×98 mm
------------------	-------------

Output

Output voltage	230 V AC
----------------	----------

Output rating	100 VA
---------------	--------

Input

Input voltage	230/400 V AC
---------------	--------------

Inrush current	3.53 A (230 V AC); 2 A (400 V AC)
----------------	-----------------------------------

Short-circuit current	4.86 A (230 V AC); 2.8 A (400 V AC)
-----------------------	-------------------------------------

Input current	0.51 A (230 V AC); 0.29 A (400 V AC)
---------------	--------------------------------------

Frequency	50...60 Hz
-----------	------------

Commercial data

country of origin	CZ
-------------------	----

customs tariff number	85043180
-----------------------	----------

EAN	4048879078481
-----	---------------

eClass	27031302
--------	----------

Packaging unit	1.000
----------------	-------