

**M12 male 90° X-cod. with cable shielded**

PUR 4x2xAWG26 shielded gn UL/CSA 1.5m

Ethernet CAT6A

Male 90°

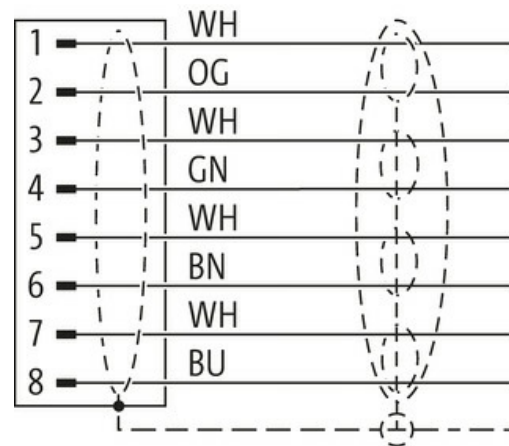
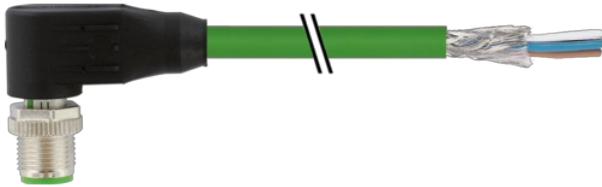
M12, 8-pole  
shielded

Transmission properties with channel transmission up to 50 m

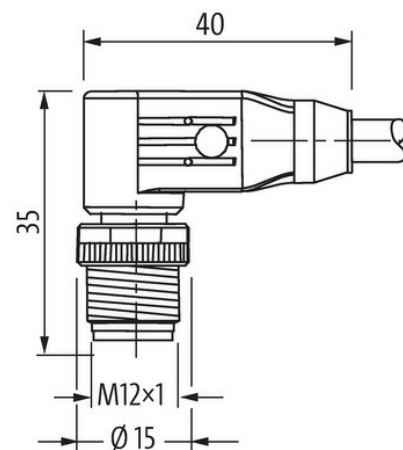
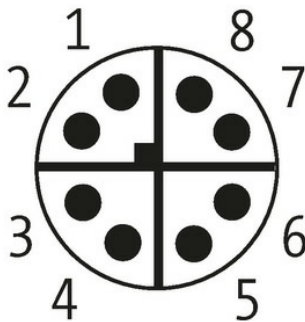
Further cable lengths on request.

Plastic housings with good resistance against chemicals and oils.

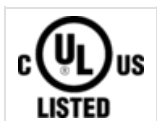
The resistance to aggressive media should be individually tested for your application. Further details on request.

[Link to Product](#)**Illustration**

Male



Product may differ from Image

**Form**

Form

21021

**Technical Data**

|   |  |
|---|--|
| Operating voltage                         | max. 50 V AC/60 V DC   |
| Rated surge voltage                       | 1.5 kV   |
| Operating current per contact             | max. 0.5 A   |
| No. of poles                              | 8  |
| Transfer parameters                       | CAT6, Class EA (ISO/IEC 11801:2002), (EN 50173-1)                |
| Transfer rate                             | 10 Gbit/s  |
| Material group                            | IEC 60664-1, category I  |
| Coding                                    | X-coded  |
| Locking of ports                          | Screw thread (M12×1 mm) recommended torque 0.6 Nm, self-securing |
| Compression gland                         | M12 (SW13)   |
| Protection                                | IP65 and IP67 when plugged and screwed down (EN 60529)           |
| Material                                  | PUR  |
| Locking material                          | Zinc die casting, matte nickel plated                            |
| suitable for corrugated tube (internal Ø) | without  |

#### General data

|                   |  |
|-------------------|--|
| Standards         | DIN EN 61076-2-109 (M12)                 |
| Mounting method   | inserted, tightened                      |
| Pollution Degree  | 3  |
| Temperature range | -25...+85 °C, depending on cable quality |

#### Cables

|                            |   |
|----------------------------|---|
| Cable identification       | 790   |
| Approval (cable)           | cURus (AWM-Style 20549/11635); CE conform                                   |
| Cable weight [g/m]         | 52,8 g  |
| Material (wire)            | Cu wire, bare   |
| Resistor (core)            | max. 143 Ω/km (20 °C)   |
| Single wire Ø (core)       | 0.16 mm   |
| Diameter (core)            | 4 × 2 × AWG26/7   |
| Material (wire isolation)  | PE  |
| Wire-Ø incl. isolation     | 1.05 mm ±5%   |
| Color/numbering of wires   | (WH, OR), (WH, BU), (WH, BN), (WH, GN)                                      |
| Shield                     | yes   |
| optical shield cover       | approx. 65%   |
| Material (jacket)          | PUR   |
| Outer-Ø (jacket)           | 6.4 mm ±5%  |
| Color (jacket)             | green   |
| chemical resistance        | Oil resistance according to IEC 60811-2-1, ASTM IRM 901, ICEA S-82-552 Std. |
| Nominal voltage            | 125 V AC  |
| Test voltage               | 1500 V (wire/wire); 1000 V (wire/shield)                                    |
| Temperature range (fixed)  | -40...+80 °C  |
| Temperature range (mobile) | -30...+70 °C  |
| Bend radius (fixed)        | 8 × outer Ø   |
| Bend radius (moving)       | 10 × outer Ø  |

#### Commercial data

|                       |               |
|-----------------------|---------------|
| country of origin     | DE            |
| customs tariff number | 85444290      |
| EAN                   | 4048879488327 |
| eClass                | 27061801      |
| Packaging unit        | 1.000         |