

**M8 female 0° with cable**

PUR 5x0.25 bk UL 3,0m

Female straight

M8, 5-pole

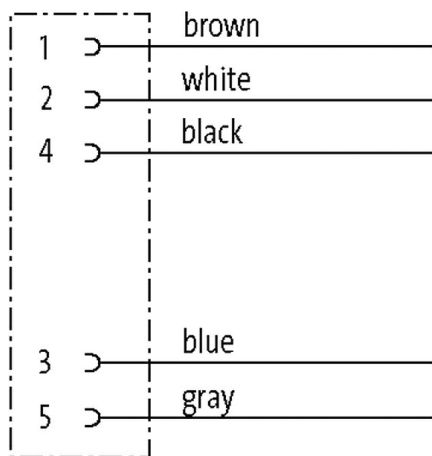
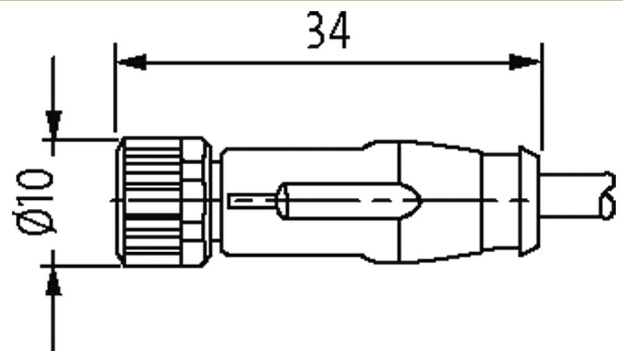
B-coded

with cable sleeves

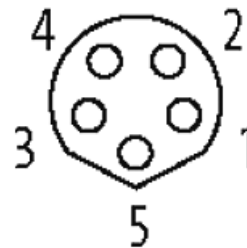
Plastic housings with good resistance against chemicals and oils.

The resistance to aggressive media should be individually tested for your application. Further details on request.

Further cable lengths on request.

**[Link to Product](#)****Illustration**

Female



Product may differ from Image

**Form**

Form 08941

**Technical Data**

Operating voltage max. 30 V AC/DC

Operating current per contact max. 3 A

No. of poles 5

|                   |   |
|-------------------|---|
| Coding            | B-coded   |
| LED display       | no  |
| Locking of ports  | Screw thread (M8×1 mm) recommended torque 0.4 Nm, self-securing |
| Compression gland | M8 (SW9)  |
| Tightening torque | 0.4 Nm  |
| Protection        | IP67 inserted and tightened (EN 60529)                          |
| Locking material  | Zinc die casting, matte nickel plated                           |
| Material          | TPU   |
| Mating cycles     | ≥ 100   |

**General data**

|                            |                     |
|----------------------------|---------------------|
| Mounting method            | inserted, tightened |
| Material (contact carrier) | PA                  |
| Material (contact)         | Copper alloy        |
| Material (contact surface) | Au                  |
| Pollution Degree           | 3/2                 |
| Temperature range          | -25...+80 °C        |

**Cables**

|                                 |  |
|---------------------------------|--|
| Cable identification            | 695                                    |
| Material (wire)                 | Cu wire, bare                          |
| Resistor (core)                 | max. 58 Ω/km (20 °C)                   |
| Single wire Ø (core)            | 0.1 mm                                 |
| Construction (core)             | 32× 0.1 mm (multi-strand wire class 6) |
| Diameter (core)                 | 5× 0.25 mm <sup>2</sup>                |
| AWG                             | similar to AWG 24                      |
| Material (wire isolation)       | PP                                     |
| Wire-Ø incl. isolation          | 1.2 mm ±5%                             |
| Stranding combination           | 5 wires twisted around central filler  |
| Shield                          | no                                     |
| Material (jacket)               | PUR                                    |
| Outer-Ø (jacket)                | 4.7 mm ±5%                             |
| Color (jacket)                  | black                                  |
| Nominal voltage                 | 300 V                                  |
| Test voltage                    | 3000 V AC                              |
| Temperature range (fixed)       | -25...+80 °C                           |
| Temperature range (mobile)      | -10...+80 °C                           |
| Bend radius (moving)            | 7.5× outer Ø                           |
| No. of bending cycles (C-track) | max. 5 Mio. (25 °C)                    |
| Travel speed (C-track)          | max. 3 m/s                             |
| Acceleration (C-track)          | max. 5 m/s <sup>2</sup>                |

**Commercial data**

|                       |               |
|-----------------------|---------------|
| country of origin     | CZ            |
| customs tariff number | 85444290      |
| EAN                   | 4048879560610 |
| eClass                | 27279218      |
| Packaging unit        | 1             |