

SIEMENS CONTACTOR SUPPRESSOR

Diode, 0...240VDC

24 V DC

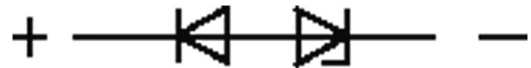
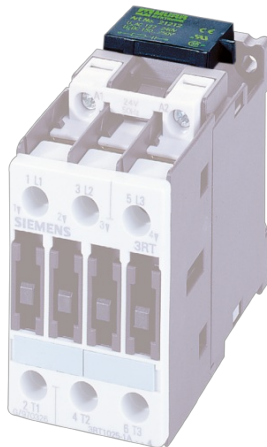
Diode/Z-Diode

Mounts on the underside of the contactor

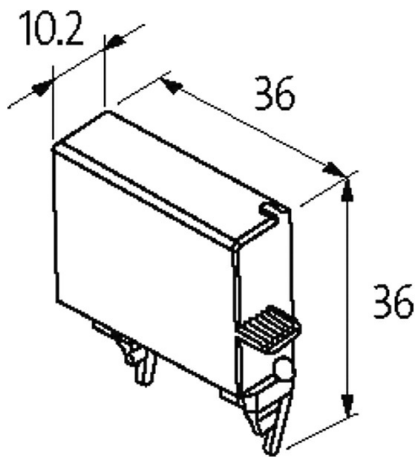
For other configurations and voltages, please inquire.

[Link to Product](#)

Illustration



Diode/Z-Diode



Product may differ from Image

Technical Data

Input voltage	0...30 V DC
Material	Flame retardant plastic acc. to (UL 94)
Damping factor	approx. 1.5× UN
Connection wires	Plug contact

General data

Temperature range	-20...+70 °C
Dimensions H×W×D	36×36×10.2 mm

Appropriate contactors

3 RT 10.24/25/26

Commercial data

The information in this brochure has been compiled with the utmost care.
Liability for the correctness completeness and topicality of the information is restricted to gross negligence. Version: 03/22

country of origin	CZ
customs tariff number	85363010
EAN	4048879017503
eClass	27371013
Packaging unit	1.000