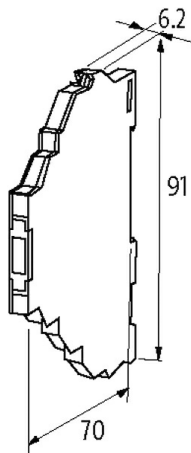


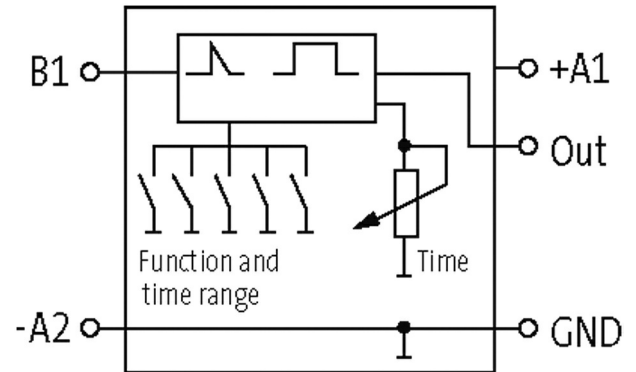
MIRO 6.2 MULTI-TIMER TRANSISTOR FK

IN: 30 VDC - OUT: 30 VDC / 0.1 A

Transistor output
 Impulse expansion: 10 ms...100 s
 Spring clamp terminals

[Link to Product](#)**Illustration**

Product may differ from Image

**General data**

Mounting method	DIN-rail mountable (EN 60715)
Temperature range	-20...+60 °C
Test isolation voltage	no galvanic separation
Dimensions HxWxD	91x6.2x70 mm

Output

Min. load current	1 mA (short-circuit protected)
Switching voltage	Operating voltage -0.2 V
Switching frequency	max. 50 Hz
Switching current per output	max. 100 mA

Input

Input voltage	18...30 V DC
---------------	--------------

Control voltage	18...30 V DC
-----------------	--------------

Commercial data

country of origin	CZ
customs tariff number	85364900
EAN	4048879021234
eClass	27210990
Packaging unit	1.000