

**Valve plug MJC 90° with cable LED+VDR V2A**

PUR 2x0.75 bk 7.5m

Xtreme - Outdoor

Female 90°

12...24 V AC/DC

LED and VDR

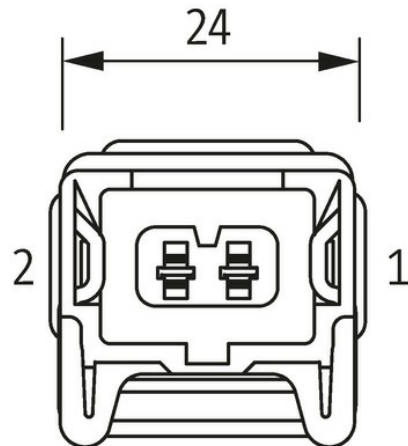
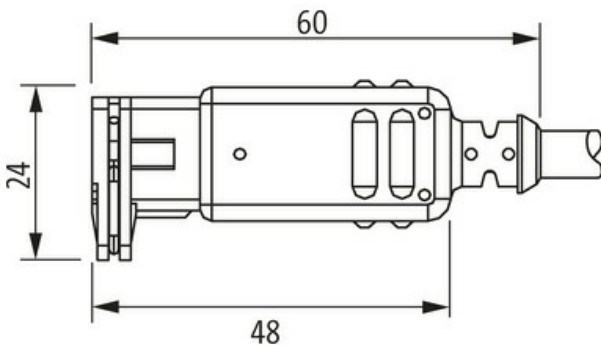
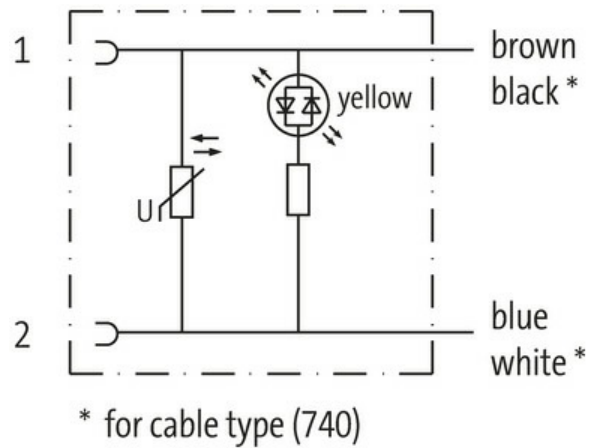
Junior Timer

Stainless steel 1.4305 (V2A)

Plastic housings with good resistance against chemicals and oils.

The resistance to aggressive media should be individually tested for your application. Further details on request.

Further cable lengths on request.

[Link to Product](#)**Illustration**

Product may differ from Image

**Form**

Form 70361

**Technical Data**

|                               |                 |
|-------------------------------|-----------------|
| Operating voltage             | 12...24 V AC/DC |
| Operating current per contact | max. 4 A        |
| Current consumption           | approx. 12 mA   |

|                  |  |
|------------------|--|
| LED display      | (yellow)                               |
| Protection       | IP65 inserted and tightened (EN 60529) |
| Locking material | Stainless steel 1.4305 (V2A)           |
| Housing          | Black plastic, flame retardant         |

**General data**

|                   |  |
|-------------------|--|
| Temperature range | -25...+85 °C, depending on cable quality |
|-------------------|--|

**Cables**

|                            |  |
|----------------------------|--|
| Cable identification       | 750  |
| Approval (cable)           | CE conform                                     |
| Cable weight [g/m]         | 48,4 g   |
| Material (wire)            | Cu wire, bare                                  |
| Resistor (core)            | max. 26 Ω/km (20 °C)                           |
| Single wire Ø (core)       | 0.2 mm   |
| Construction (core)        | 24× 0.2 mm (multi-strand wire class 5)         |
| Diameter (core)            | 2× 0.75 mm <sup>2</sup>                        |
| AWG                        | similar to AWG 18                              |
| Material (wire isolation)  | PVC  |
| Color/numbering of wires   | br, bl   |
| Stranding combination      | 2 wires twisted                                |
| Shield                     | no   |
| Material (jacket)          | PUR/PVC  |
| Outer-Ø (jacket)           | 5.9 mm ±5%                                     |
| Color (jacket)             | black  |
| chemical resistance        | good resistance to oil, gasoline and chemicals |
| Nominal voltage            | 300 V AC                                       |
| Test voltage               | 2000 V AC                                      |
| Temperature range (fixed)  | -40...+80 °C                                   |
| Temperature range (mobile) | -5...+80 °C                                    |
| Bend radius (moving)       | 15× outer Ø                                    |

**Commercial data**

|                       |               |
|-----------------------|---------------|
| country of origin     | DE            |
| customs tariff number | 85444290      |
| EAN                   | 4048879311427 |
| eClass                | 27279218      |
| Packaging unit        | 1.000         |