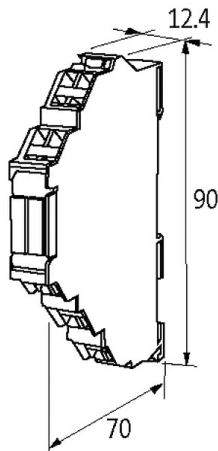
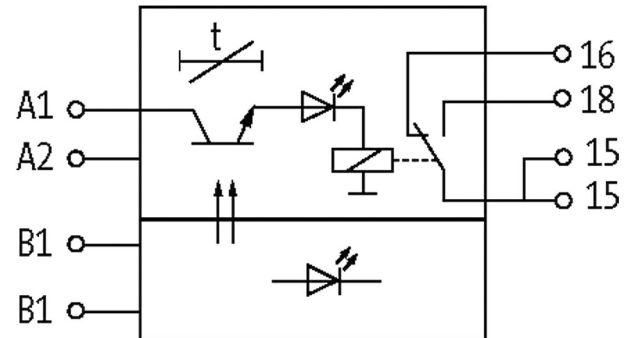


MIRO 12.4 MULTI-TIMER

IN: 24 VAC/DC / 230 VAC - OUT: 230 VAC/DC / 6A

Relay output
Multitimer: 0.1...300
Spring clamp terminals

[Link to Product](#)**Illustration**

Product may differ from Image

General data

Mounting method	DIN-rail mountable (EN 60715)
Temperature range	-25...+60 °C
Test isolation voltage	4.8 kV
Mech./ elect. life	20 000 000 switching cycles/load dependent

Output

Output voltage	max. 230 V AC/DC
Min. load current	8 mA (24 V DC)
Output rating	max. 1500 VA/120 W
Contact material	Ag Sn O2
Energize/release/contact bounce time	8/10/2 ms
Output current	max. 6 A

Input	
Input voltage	24 V AC/DC or 230 V AC ($\pm 15\%$)
Control voltage	24 V AC/DC or 230 V AC ($\pm 15\%$)
Control current	2 mA
Input current	12 mA (24 V DC)

Commercial data	
country of origin	CZ
customs tariff number	85364900
EAN	4048879021890
eClass	27371790
Packaging unit	1.000