

## Valve plug MJC 90° with cable LED

PVC 2x0.75 bk 3m

Female 90°

10...30 V AC/DC

LED

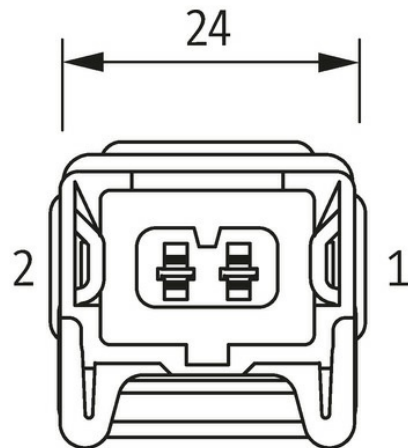
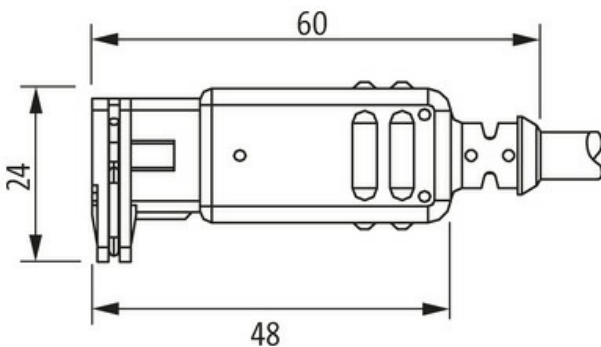
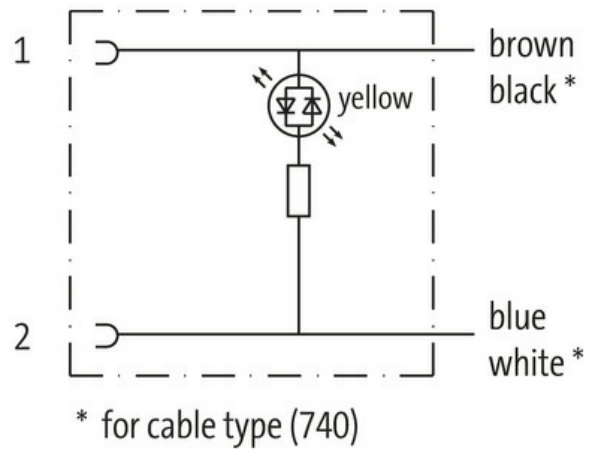
Plastic housings with good resistance against chemicals and oils.

The resistance to aggressive media should be individually tested for your application. Further details on request.

Further cable lengths on request.

### Link to Product

#### Illustration



Product may differ from Image

#### Form

Form 70321

#### Technical Data

|                               |  |
|-------------------------------|--|
| Operating voltage             | 10...30 V AC/DC                        |
| Rated surge voltage           | 0.8 kV                                 |
| Operating current per contact | max. 4 A                               |
| Current consumption           | approx. 12 mA                          |
| LED display                   | (yellow)                               |
| Protection                    | IP65 inserted and tightened (EN 60529) |
| Housing                       | Black plastic, flame retardant         |

The information in this brochure has been compiled with the utmost care.

Liability for the correctness completeness and topicality of the information is restricted to gross negligence. Version: 03/22

Murrelektronik Ltd. | 5 Albion Street, Pendlebury Industrial Estate, Swinton | Manchester M27 4FG | Fon +44 161 728 3133 | Fax +44 161 728 3130 | shop@murrelektronik.co.uk | shop.murrelektronik.co.uk

**General data**

|                   |  |
|-------------------|--|
| Temperature range | -25...+85 °C, depending on cable quality |
|-------------------|--|

**Cables**

|                                    |  |
|------------------------------------|--|
| No./diameter of wires              | 2× 0.75 mm <sup>2</sup>  |
| Wire isolation                     | PVC (br, bl)   |
| Outer Ø                            | 5.2 mm ±5%   |
| Cable identification               | 752  |
| Cable number                       | 752  |
| Approval (cable)                   | CE   |
| Cable weight [g/m]                 | 50,6 g   |
| Material (wire)                    | Cu wire, bare  |
| Resistor (core)                    | max. 26 Ω/km (20 °C)   |
| Single wire Ø (core)               | 0.2 mm   |
| Construction (core)                | 24× 0.2 mm (multi-strand wire class 5)   |
| Diameter (core)                    | 2× 0.75 mm <sup>2</sup>  |
| AWG                                | similar to AWG 18  |
| Material (wire isolation)          | PVC  |
| Material property (wire isolation) | CFC-, cadmium-, silicone- and lead-free  |
| Shore hardness (wire isolation)    | 90 ±5 A  |
| Wire-Ø incl. isolation             | 1.8 mm ±5%   |
| Color/numbering of wires           | br, bl   |
| Stranding combination              | 2 wires twisted  |
| Shield                             | no   |
| Material (jacket)                  | PVC  |
| Material property (jacket)         | CFC-, cadmium-, silicone- and lead-free, matt, low-adhesion, machine easy to process, abrasion-resistant |
| Shore hardness (jacket)            | 80 ±5 A  |
| Outer-Ø (jacket)                   | 5.2 mm ±5%   |
| Color (jacket)                     | black  |
| Cable labeling                     | see frame delivery specifications 7000-00000-001   |
| Jacket Color                       | black  |
| chemical resistance                | good resistance to oil, gasoline and chemicals   |
| thermal resistance                 | flame retardant  |
| Nominal voltage                    | 300/500 V AC   |
| Test voltage                       | 2000 V AC  |
| Current load capacity              | to DIN VDE 0298-4  |
| Temperature range (fixed)          | -30...+70 °C   |
| Temperature range (fixed)          | -30...+70 °C   |
| Temperature range (mobile)         | -5...+70 °C  |
| Temperature range (mobile)         | -5...+70 °C  |
| Bend radius (fixed)                | 10× outer Ø  |
| Bend radius (moving)               | 15× outer Ø  |
| Bend radius (moving)               | 15× outer Ø  |
| Material (jacket)                  | PVC  |

**Commercial data**

|                       |               |
|-----------------------|---------------|
| country of origin     | DE            |
| customs tariff number | 85444290      |
| EAN                   | 4048879286220 |
| eClass                | 27279218      |
| Packaging unit        | 1.000         |