

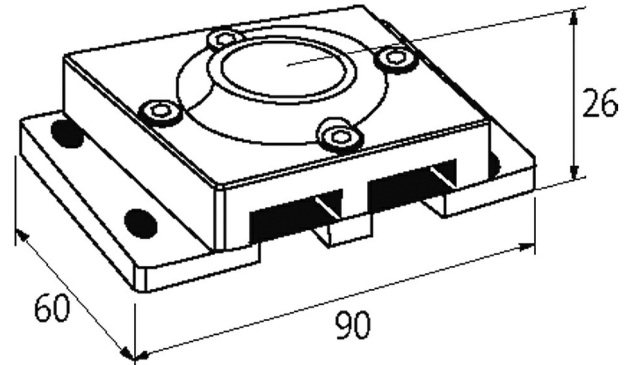
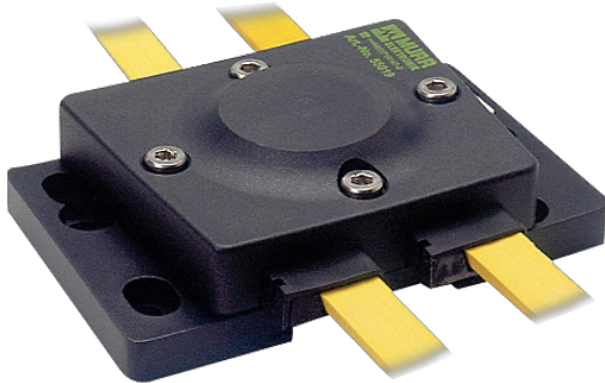
MASI67 INSTALLATION TECHNOLOGY

Connection 2x profile- to 2x profile cable

MASI67 connection
2x on 2x profile cable

[Link to Product](#)

Illustration



Product may differ from Image



Technical Data

Operating voltage	max. 36 V DC
Total current	max. 8 A

General data

Test isolation voltage	AS-Interface/Power 200 V, (EN 60664-1)
Protection	IP67
Mounting method	DIN-rail mountable (EN 60715) or screw fixing
Temperature range	-20...+60 °C (storage temperature -40...+80 °C)
Dimensions HxWxD	90x74x26 mm

Commercial data

country of origin	DE
customs tariff number	85369010
EAN	4048879052184
eClass	27400209
Packaging unit	1