

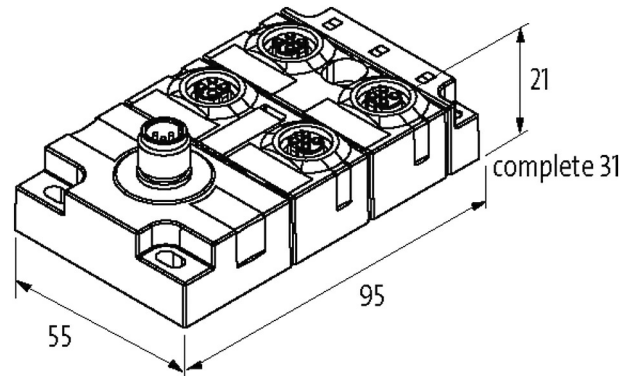
Tree 4TX IP67 Metal - Unmanaged Switch - 4xM12

4 port unmanaged switch

Connection cables are in the online shop under "Connection Technology".

[Link to Product](#)

Illustration



Product may differ from Image



Technical Data

Operating voltage	2x 18...30 V DC, redundancy
Transfer rate	10/100 Mbit/s full duplex
Operating modes	Autocrossing Autonegotiation

General data

Mounting method	4 hole screw mounting
Temperature range	-25...+60 °C (storage temperature -40...+80 °C)
Housing	Zinc die casting, matte nickel plated
Protection	IP67
Dimensions HxWxD	95x55x31 mm

Connections

Fieldbus	4x M12 (female), D-coded
Supply	1x M12 (male), A-coded

Switch Management

Protocols	no
Port Mirroring	no
VLAN (QoS) IEEE 802.p	yes
Alarm contact	no
Remote maintenance	no
Webserver	no
Switch Form	Unmanaged Switch

Diagnostic

Communication status	via LED
Monitoring - no voltage	yes

Commercial data

country of origin	DE
-------------------	----

customs tariff number	85176200
EAN	4048879469135
eClass	19170106
Packaging unit	1.000