

## MVK-ME DIO12 DIO4/IOL4 4P

MVK EthernetIP compact module, metal housing,

Digital inputs/outputs

DIO12 DIO4 IOL4

Ethernet 10/100 Mbit/s; M12, D-coded

7/8", 4-pole, 2× max. 9 A

M12, 5-pole, A-coded

DLR (Device Level Ring)

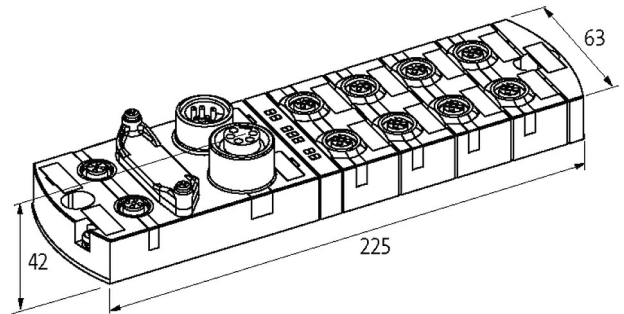
IO-Link Master V1.1.2

Connection cables are in the online shop under "Connection Technology".

Housing fully potted.

### Link to Product

#### Illustration



Product may differ from Image



#### General data

|                   |   |
|-------------------|---|
| Mounting method   | 2-hole screw mounting                           |
| Temperature range | -25...+55 °C (storage temperature -40...+85 °C) |
| Protection        | IP67  |
| Dimensions H×W×D  | 42×63×225 mm                                    |

#### Output

|                              |   |
|------------------------------|---|
| Lamp load                    | 10 W  |
| Actuator supply UA           | 24 V DC (EN 61131-2), max. 9 A                    |
| Switching current per output | max. 1.6 A (short-circuit and overload protected) |

#### Input

|                  |  |
|------------------|--|
| Sensor supply US | 24 V DC (EN 61131-2), max. 200 mA (M12 female), short-circuit and overload protected |
| Type             | for 3-wire sensors or mechanical switches, PNP, IO-Link Devices                      |

#### IO-Link

|                     |   |
|---------------------|---|
| Specification       | IO-Link Master V1.1.2                       |
| Port Class          | Class B (not galvanically separated)        |
| IO-Link             | 4× Master                                   |
| Transfer parameters | 32 Byte (In) 32 Byte (Out) per IO-Link port |
| Operating modes     | COM1; COM2; COM3 (automatic)                |

#### Parameterization

|       |  |
|-------|--|
| PIN 4 | Input/Output (port X0...X7); IO-Link Master (port X4...X7)             |
| PIN 2 | Input/Output (port X0...X7); U-Actuator IO-Link Class B (port X4...X7) |

The information in this brochure has been compiled with the utmost care.

Liability for the correctness completeness and topicality of the information is restricted to gross negligence. Version: 03/22

### Connections

|                               |                                      |
|-------------------------------|--------------------------------------|
| Fieldbus                      | Ethernet 10/100 Mbit/s; M12, D-coded |
| Sensor-system/actuator supply | 7/8", 4-pole, 2× max. 9 A            |
| I/O ports                     | M12, 5-pole, A-coded                 |

### EtherNet/IP

|                         |   |
|-------------------------|---|
| Multiple connections    | yes                                     |
| QC (Quick Connect)      | max. 360 ms                             |
| CIP Sync                | yes                                     |
| Composite Test Revision | CT14                                    |
| Addressing              | DHCP, BOOTP or IP address by DIP switch |
| DLR (Device Level Ring) | yes                                     |

### Diagnostic

|                            |                             |
|----------------------------|-----------------------------|
| Communication status       | via LED                     |
| Diagnostic via LED         | per module and channel      |
| Diagnostic via BUS         | per module and channel      |
| Actuator warning           | per channel via LED and BUS |
| Monitoring - under voltage | yes                         |
| Monitoring - no voltage    | yes                         |
| Short-circuit and overload | yes                         |
| Cable break                | per IO-Link Master          |

### Commercial data

|                       |               |
|-----------------------|---------------|
| country of origin     | DE            |
| customs tariff number | 85389099      |
| EAN                   | 4048879699938 |
| eClass                | 27242604      |
| Packaging unit        | 1.000         |