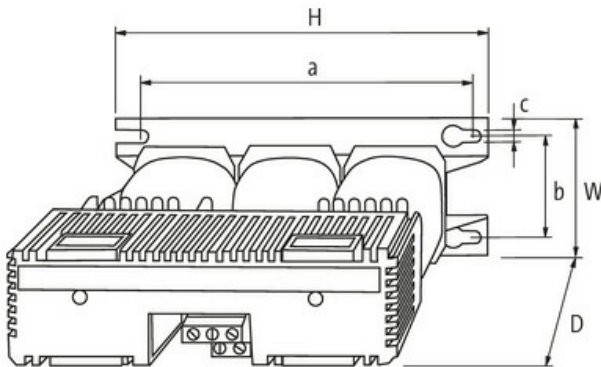
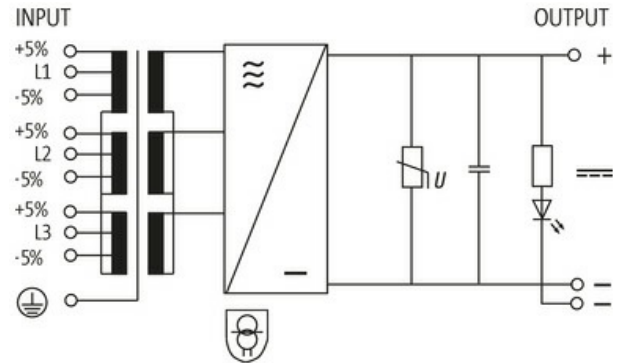


**MPL POWER SUPPLY 3-PHASE, SMOOTHED**

IN: 400VAC+/- 5% OUT: 24V/50ADC

Current: 50 A

Output rating: 1200 W

[Link to Product](#)**Illustration**

Product may differ from Image

**General data**

Standards	EN 61558-2-6, EN 62041 category I, EN 55011 B, EN 61000-3-2
Mounting method	Key-hole mounting
Temperature range	-20...+55 °C, for any mounting position at vertical wall, no condensation
Fixing centers a×b×c	256.5×108×11 mm
Efficiency	79%
Dimensions H×W×D	280×134×313 mm

**Output**

Output voltage	24 V DC (SELV)
Output fuse external	50 A (T)
Output suppression	LED, VDR and smoothing capacitor
Output current	max. 50 A
Ripple	max. 2% eff/rms

The information in this brochure has been compiled with the utmost care. Liability for the correctness completeness and topicality of the information is restricted to gross negligence. Version: 03/22

Input	
Input voltage	3x 400 V AC ±5%
Input fuse (external)	4 A (T)
Input current	2.5 A (3x 400 V AC)
Frequency	50...60 Hz
Commercial data	
country of origin	CZ
customs tariff number	85044090
EAN	4048879079174
eClass	27049002
Packaging unit	1.000