

## RJ45 module - male, adapter

Male

RJ45

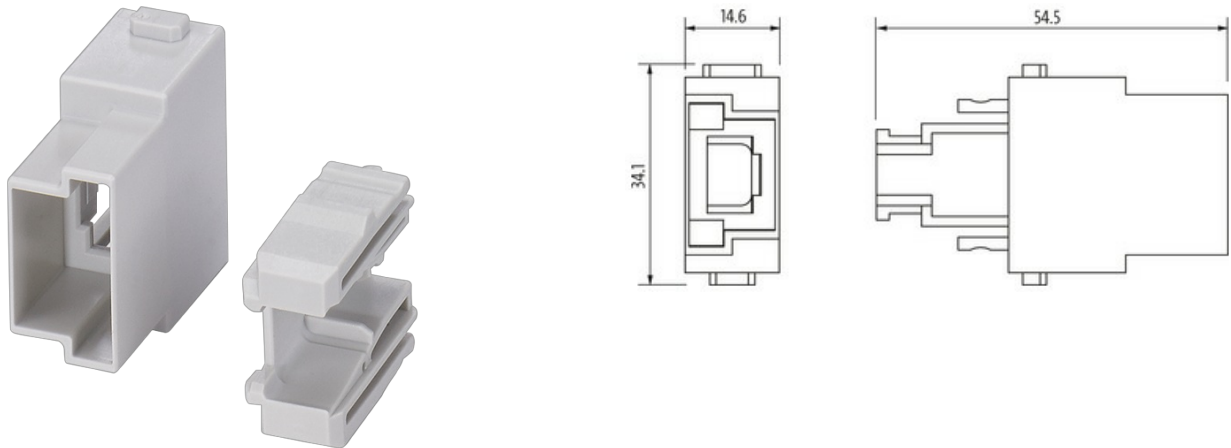
Adapter for industry plug connectors

Technical data will be only guaranteed with Murrelektronik components.

The clip 70MH-ZZ100-0000000 is needed (2x)

### Link to Product

#### Illustration



Product may differ from Image



#### Technical Data

Operating voltage	50 V AC/DC
Rated surge voltage	0.8 kV
Transfer parameters	CAT5e
Mating cycles	min. 500
Over voltage category	III

#### General data

Pollution Degree	3
Temperature range	-40...+70 °C
No. of module positions	1
Flammability class	V-0 (acc. to UL 94)
Type	Male
Material (module)	PC
Dimensions H×W×D	41×34.1×14.6 mm

#### Commercial data

country of origin	PL
customs tariff number	85389099
EAN	4048879664080
eClass	27143424
Packaging unit	1.000